

EPS120-1 and EPS120-2 Supervisory Pressure Switches



Models Available

EPS120-1	Low Pressure Supervisory Switch
EPS120-2	High/Low Pressure Supervisory Switches
EPSA120-1	ULC/Canadian Version
EPSA120-2	ULC/Canadian Version

Replacement Parts

S07-66-XX	Replacement Cover Screws
WFDW	Replacement Cover Wrench
546-8000	Cover Tamper Switch



Product Overview

Sensitivity adjustment wheel, no special tools required

Reinforced diaphragm resists pressure spikes

Two conduit entrances provided

NEMA 4 rated

System Sensor EPS120 Series switches are designed to supervise system air pressure in pipes or pressure tanks and water or air pressure supplies of automatic water control valves. The EPS120-1 has a single SPDT switch while the EPS120-2 model contains two SPDT switches.

The EPS120 Series features field adjustable pressure sensitivity to provide an alarm response between 10 and 200 psi. All models are factory set for use in a nominal 115 psi system. The EPS120-1 is factory set to respond at 105 psi at decreasing pressure while the EPS120-2 is factory set to respond at 125 psi on rising pressure and 105 psi on decreasing pressure. The pressure adjustment wheel requires no special tools and does not affect switch synchronization on the EPS120-2.

Engineering Specifications EPS120-1 (SPDT), EPS120-2 (2/SPDT)

Model shall be an EPS120-1 or EPS120-2 pressure type waterflow switch as manufactured by System Sensor of St. Charles, IL. They shall be installed on the sprinkler system with connection as shown on the drawings and/or as specified herein. Pressure switches shall be of the bellows-activated type.

Switches shall have a maximum service pressure rating of 250 psi and shall be adjustable from 10 - 200 psi. There shall be one (1) or two (2) SPDT contacts rated at 10.0 Amp @ 125/250 VAC and 2.5 Amp @ 6/12/24 VDC.

The contractor shall furnish and install, where indicated on the plans, pressure switches according to appropriate NFPA standards. Switches shall be provided with a 1/2" NPT male pressure connection to be connected into the air supply line on the system side of any shut-off valve. Switches shall provide 1 knockout type and 1 open hole for 1/2" conduit fitting attachment and a ground screw provision for electrical grounding.

The switch enclosure shall be weatherproof and carry a UL 4x/NEMA 4 rating when used with proper electrical fittings and conduit. The cover shall incorporate tamper-resistant screws.

The unit shall be listed by Underwriters Laboratories, Inc. and Underwriters Laboratories of Canada, Inc. and approved by Factory Mutual.



S739



CS169



G4020027



167-93-E



3005863



7770-1209:147

Specifications

Maximum Operating Pressure

250 psi

Differential

Approximately 3 psi @ 10 psi, 9 psi @ 200 psi

Maximum Adjustment Pressure Range

10 to 200 psi

Factory Setting

EPS120-1 operates at decreasing pressure at 105 psi
 EPS120-2 operates at increasing pressure at 125 psi
 and decreasing pressure at 105 psi

Pressure Connection

1/2" NPT male

Switch Contact Ratings

EPS120-1: One set SPDT (Form C)
 EPS120-2: Two sets SPDT (Form C)
 10.0 A, 1/2 HP @ 125/250 VAC
 2.5 A @ 6/12/24 VDC

Dimensions

5.12" H x 3.325" W x 4.250" L
 (13.0 cm x 8.4 cm x 10.8 cm)

Operating Temperature Range:

Indoor or outdoor use
 -40°F to 160°F (-40°C to 71°C)

Cover Tamper Switch

UL Models: Optional P/N 546-8000
 ULC Models: Factory Installed

Enclosure

Rated UL 4x, NEMA 4 for indoor or outdoor use

Shipping Weight

1.2 lbs. (.54 Kg)

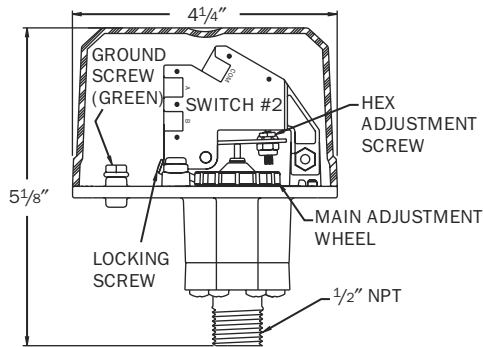
Service Use

Automatic Sprinkler: NFPA 13
 One or Two Family Dwelling: NFPA 13D
 Residential Occupancies up to 4 Stories: NFPA 13R
 National Fire Alarm Code: NFPA 72

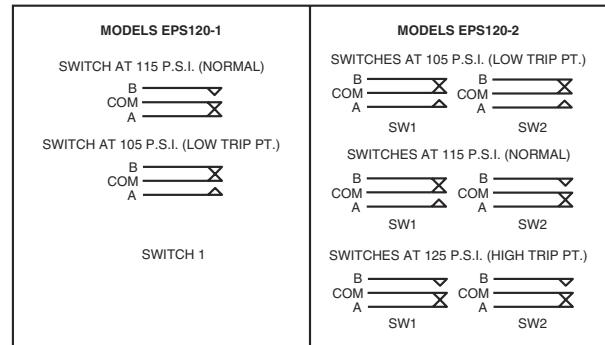
Warranty

3 years

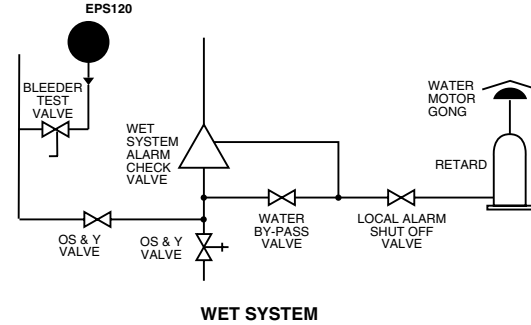
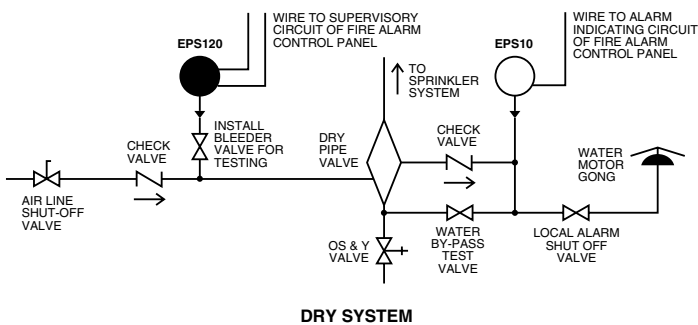
Pressure Switch Basic Dimensions



Electrical Connections for EPS120-1 and EPS120-2



Typical Sprinkler Applications



Ordering Information

Model	Description
EPS120-1	Low Pressure Supervisory Switch, One SPDT, 10 - 200 PSI
EPS120-2	High/Low Pressure Supervisory Switch, Two SPDT, 10 - 200 PSI
EPSA120-1	ULC/Canadian Version
EPSA120-2	ULC/Canadian Version

Replacement Parts

Model	Description
S07-66-XX	Replacement Tamper Screws for Cover of EPS
WFDW	Replacement Tamper Proof Wrench for Cover of EPS
546-8000	Cover Tamper Switch for EPS Series

System Sensor Sales and Service

System Sensor Headquarters

3825 Ohio Avenue
 St. Charles, IL 60174
 Ph: 800/SENSOR2
 Fx: 630/377-6495
 Documents-on-Demand
 800/736-7672 x3
 www.systemsensor.com

System Sensor Canada

Ph: 905.812.0767
 Fx: 905.812.0771

System Sensor Europe

Ph: 44.1403.891920
 Fx: 44.1403.891921

System Sensor in China

Ph: 86.29.524.6253
 Fx: 86.29.524.6259

System Sensor in Singapore

Ph: 65.6273.2230
 Fx: 65.6273.2610

System Sensor - Far East

Ph: 85.22.191.9003
 Fx: 85.22.736.6580

System Sensor - Australia

Ph: 613.54.281.142
 Fx: 613.54.281.172

System Sensor - India

Ph: 91.124.237.1770 x.2000
 Fx: 91.124.237.3118

System Sensor - Russia

Ph: 70.95.937.7982
 Fx: 70.95.937.7983