

PIBV2 Supervisory Switch



Models Available

PIBV2	Post Indicator/Butterfly Valve Supervisory Switch
PIBV2A	Post Indicator/Butterfly Valve Supervisory Switch (ULC/Canadian)

Replacement Parts

A3010-00	Replacement Hardware Kit
546-7000	Cover Tamper Switch Kit
S07-66-XX	Tamper Screws for Cover
WFDW	Cover Wrench
HEXW	Replacement Hex Wrench



Product Overview

NEMA 3R rated enclosure

Bi-directional actuator accommodates rising or falling flags

Single side conduit entry does not require right angle fittings

Adjustable length actuator with breakaway feature eliminates the need for cutting the shaft

Accommodates up to 12 AWG wire

Two SPDT contacts are enclosed in a durable terminal block for added strength

100% synchronization activates both alarm panel and local bell simultaneously

System Sensor's PIBV2 supervisory switch monitors the open position of post indicator and butterfly control valves.

Robust Construction. The PIBV2 consists of a rugged housing, intended for indoor and outdoor use. When installed with the actuator in the vertical position, the PIBV2 is NEMA 3R rated per UL.

Application Flexibility. The PIBV2 features a flexible design that accommodates post indicator, butterfly, and many other types of wall post, recessed wall post and pressure reducing valves. The PIBV2's unique bi-directional actuator allows the unit to be installed in either rising or falling flag installations.

Simplified Operation. Installation is made easier with the PIBV2's single side conduit entrance. By providing a direct conduit pathway to the electrical source, right angle fittings are not required. Installation is further simplified by the PIBV2's adjustable length actuator, which eliminates the need for cutting the shaft.

Reliable Performance. The PIBV2 is equipped with tamper resistant cover screws to prevent unauthorized entry. Inside, two sets of SPDT (Form C) synchronized switches are enclosed in a durable terminal block to assure reliable performance.



S739



CS169



7770-1653-118



APPROVED
OW6A8.AY

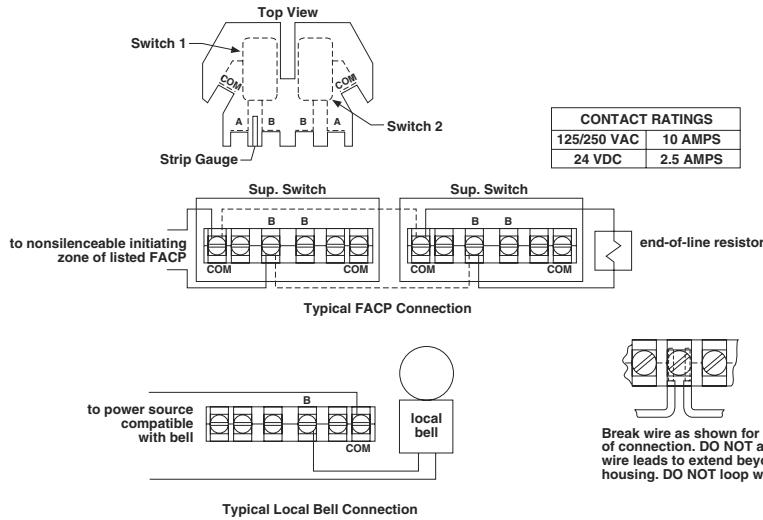


167-93E

Engineering Specifications

Model shall be model number PIBV2 Post Indicator Butterfly Valve supervisory switch as manufactured by System Sensor. PIBV2 shall be installed on each valve as designated on the drawings and/or as specified herein. Switches shall be mounted so as not to interfere with the normal operation of the valve and shall be adjusted to operate within two revolutions of the valve control or when the valve flag has moved no more than one-fifth of the distance from its normal position. The mechanism shall be contained in a weatherproof die cast metal housing, which shall provide a side entrance for 1/2" conduit and incorporate a 1/2" NPT nipple for attachment to the valve body. A grounding provision is provided. The switch assembly shall include two switches each with a rated capacity of 10 Amp @ 125/250V AC and 2.5 Amp @ 24V DC. The cover shall contain tamper-resistant screws for which a security wrench will be provided with each switch. PIBV2 shall be Underwriters Laboratories listed for indoor or outdoor use. The PIBV2 shall be Factory Mutual, CSFM, and MEA approved.

Electrical Connections for PIBV2



CONTACT RATINGS	
125/250 VAC	10 AMPS
24 VDC	2.5 AMPS

Standard Specifications

Contact Ratings

Two sets of SPDT (Form C)
10.0 A @ 125/250V AC
2.5 @ 6/12/24V DC

Overall Switch Dimensions

4 1/4" H x 3 1/2" W x 3 1/4" D
(10.8cm x 8.9cm x 8.2cm)

Maximum Stem Extension

3 5/32" (8.0 cm)

Mounting

1/2" NPT nipple

Conduit Entrances

One single side open for 1/2" conduit

Operating Temperature Range

32°F to 120°F (0°C to 49°C)

Note: The PIBV2 will operate from -40°F to 120°F (-40°C to 49°C); however UL does not test control valve supervisory switches below 32°F (0°C).

Enclosure Rating

UL indoor/outdoor
NEMA 3R when mounted with the actuator vertical

Cover Tamper Switch

Standard with ULC model
Optional for UL model, part no. 546-7000

Shipping Weight

2 lbs. (0.9 kg)

Service Use

Automatic Sprinkler: NFPA 13
One or Two Family Dwelling: NFPA 13D
Residential Occupancies up to 4 stories: NFPA 13R
National Fire Alarm code: NFPA 72

Warranty

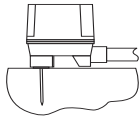
3 years

U.S. Patent No.

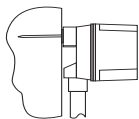
5,213,205

PIBV2 Mounting

THE FOLLOWING ARE EXAMPLES OF ACCEPTABLE MOUNTING POSITIONS:

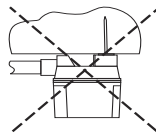


ACTUATOR VERTICAL (DOWN)



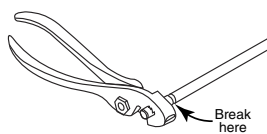
ACTUATOR HORIZONTAL

THE FOLLOWING MOUNTING POSITION IS **NOT ACCEPTABLE**:



ACTUATOR VERTICAL (POINTING UP)

ACTUATING ARM BREAKAWAY FEATURE:



Ordering Information

Model Number	Description
PIBV2	Post Indicator/Butterfly valve supervisory switch
PIBV2A	Post Indicator/Butterfly valve supervisory switch (ULC model)
Part Number	Description
A3010-00	Replacement hardware kit (wrenches, screw pack)
546-7000	Cover tamper switch kit
S07-66-XX	Tamper screws for cover
WFDW	Replacement tamper proof wrench for cover
HEXW	Replacement hex wrench

System Sensor Sales and Service

System Sensor Headquarters
3825 Ohio Avenue
St. Charles, IL 60174
Ph: 800/SENSOR2
Fx: 630/377-6495
www.systemsensor.com

System Sensor Canada
Ph: 905.812.0767
Fx: 905.812.0771
System Sensor Europe
Ph: 44.1403.276500
Fx: 44.1403.276501

System Sensor in China
Ph: 86.29.8832.0119
Fx: 86.29.8832.5119

System Sensor in Singapore
Ph: 65.6273.2230
Fx: 65.6273.2610

System Sensor – Far East
Ph: 85.22.191.9003
Fx: 85.22.736.6580

System Sensor – Australia
Ph: 613.54.281.142
Fx: 613.54.281.172

System Sensor – India
Ph: 91.124.237.1770 x.2700
Fx: 91.124.237.3118

System Sensor – Russia
Ph: 70.95.937.7982
Fx: 70.95.937.7983