



WPTV248UL Series CCTV Outdoor Power Supplies

Installation Guide

Models Include:

- ***WPTV248UL***
 - *24VAC @ 3.5 amp (85VA).*
 - *Eight (8) Fuse Protected Outputs.*
- ***WPTV248175UL***
 - *24VAC @ 7 amp (175VA)
or 28VAC @ 6.25 amp (175VA).*
 - *Eight (8) Fuse Protected Outputs.*
- ***WPTV248300UL***
 - *24VAC @ 12.5 amp (300VA)
or 28VAC @ 10 amp (280VA).*
 - *Eight (8) Fuse Protected Outputs.*
- ***WPTV248ULCB***
 - *24VAC @ 3.5 amp (85VA).*
 - *Eight (8) PTC Protected Outputs.*
- ***WPTV248175ULCB***
 - *24VAC @ 7 amp (175VA)
or 28VAC @ 6.25 amp (175VA).*
 - *Eight (8) PTC Protected Outputs.*
- ***WPTV248300ULCB***
 - *24VAC @ 12.5 amp (300VA)
or 28VAC @ 10 amp (280VA).*
 - *Eight (8) PTC Protected Outputs.*



Overview:

These outdoor Altronix CCTV Power Supplies provide power via eight (8) fused or PTC protected outputs for CCTV Cameras, heaters and other video accessories. Units are UL Listed UL2044 “U.S. and Canada for CCTV Equipment.”

Eight (8) Output WPTV Reference Chart:

Altronix Model Number	Output Voltage	Total Output Current (Power)	Number of Outputs	PTC Protected Outputs (Class 2 power limited)	Fuse Protected Outputs	Output Current (max per output)	Main Fuse Ratings on Board	115VAC 50/60Hz Input Current
WPTV248UL	24VAC	3.5 amp	8	-	x	3.5 amp	3.5 amp/250V	.9 amp
WPTV248ULCB	24VAC	3.5 amp	8	x	-	2.5 amp	-	.9 amp
WPTV248175UL	24VAC	7 amp	8	-	x	3.5 amp	-	1.76 amp
	28VAC	6.25 amp						
WPTV248175ULCB	24VAC	7 amp	8	x	-	2.5 amp	-	1.76 amp
	28VAC	6.25 amp						
WPTV248300UL	24VAC	12.5 amp	8	-	x	3.5 amp	-	2.7 amp
	28VAC	10 amp						
WPTV248300ULCB	24VAC	12.5 amp	8	x	-	2.5 amp	-	2.7 amp
	28VAC	10 amp						

Specifications:

- UL Listed for Commercial CCTV Equipment (UL2044). CUL Listed - CSA Standard C22.2 No.1-98, Audio, Video and Similar Equipment.
- Surge suppression.
- AC power LED indicator.
- Power ON/OFF switch / circuit-breaker.
- Unit maintains camera synchronization.
- Ease of installation saves time & eliminates costly labor.
- Spare fuses included (on fuse protected models).

Enclosure Dimensions:

12"H x 8"W x 6"D

Installation Instructions:

1. Mount unit in desired location. Use hardware supplied and stainless steel fasteners.
2. Slide switch on PD board to OFF position for models WPTV248UL and WPTV248ULCB (Fig. 2, pg. 5). Turn OFF main switch on all other models (Figs. 3-4, pgs. 6-7).
3. All units are factory set for 24VAC operation. For 28VAC operation (for models with 24VAC/28VAC option only), adjust unit prior to mounting and applying power as follows: Change the wire position so that the black wire [28V] is connected to the terminal marked [P] and the yellow wire [24V] is connected to the terminal marked [S].
4. Before drilling WP enclosure for wire entry, remove back plate (four (4) screws) with all internal parts (Fig. 2A, pg. 5). For suggested wire entry locations refer to (Fig. 1, pg. 4). Use weather tight NEMA 4 rated connectors, bushings, and cables.
5. Place back plate with all internal parts (four (4) screws) back into WP enclosure (Fig. 2A, pg. 5).
6. Connect AC power to the black and white flying leads of the transformer(s) (Figs. 2-4, pgs. 5-7), secure green lead to earth ground. Use 18 AWG or larger for all power connections.
Keep power limited (PTC protected outputs only) wiring separate from non-power limited wiring. Minimum .25" spacing must be provided. Use separate entries.
7. Measure output voltage before connecting devices. This helps avoid potential damage. Terminals marked [1P - 8P] are of the same polarity.

CAUTION: Determine the maximum operating voltage of the equipment being powered before adjusting the output voltage.

8. Connect devices to terminals marked [1P - 1N through 8P - 8N] on PD8/PD8CB board (Figs. 2-4, pgs. 5-7), carefully observing polarity.
9. Slide switch on PD board to ON position for models WPTV248UL and WPTV248ULCB (Fig. 2, pg. 5). Turn main switch on all other models to the ON (RESET) position (Figs. 3-4, pgs. 6-7).
10. Green LED will illuminate when unit is powered.
11. Upon completion of wiring, secure enclosure door with the cam lock (supplied).

Caution: Equipment to be installed / serviced by authorized / trained personnel only. Shut branch circuit power before installing / servicing equipment.

WARNING: This installation should be made by qualified service personnel. Unit should be installed in accordance with the National Electrical Codes and all local codes. For continued protection against risk of fire replace all fuses only with the same type and rating (3.5 amp/250VAC).

Terminal Identification:

PD8 - Power Distribution Module

1P - 8P	AC output.
1N - 8N	AC output.

Fig. 1

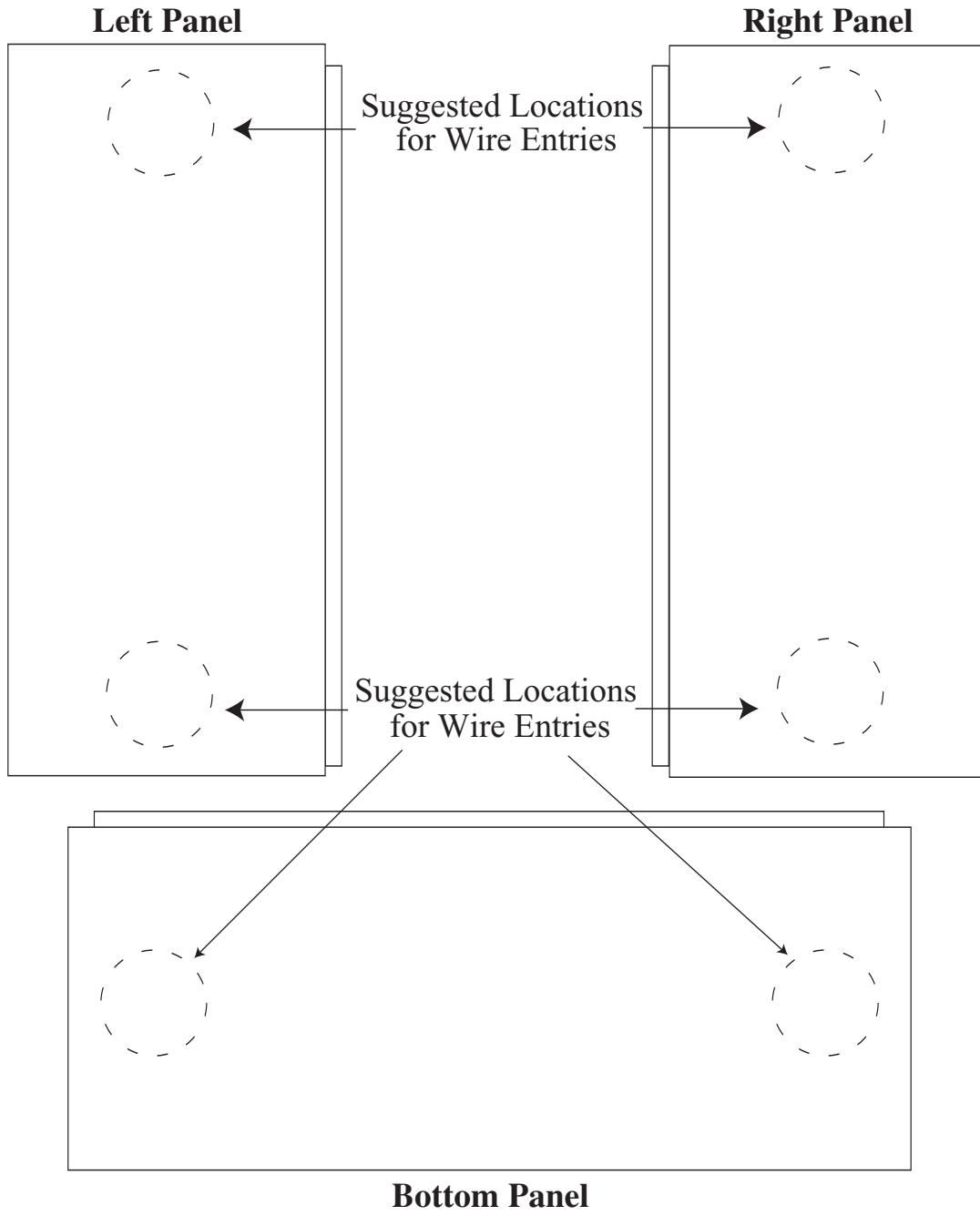
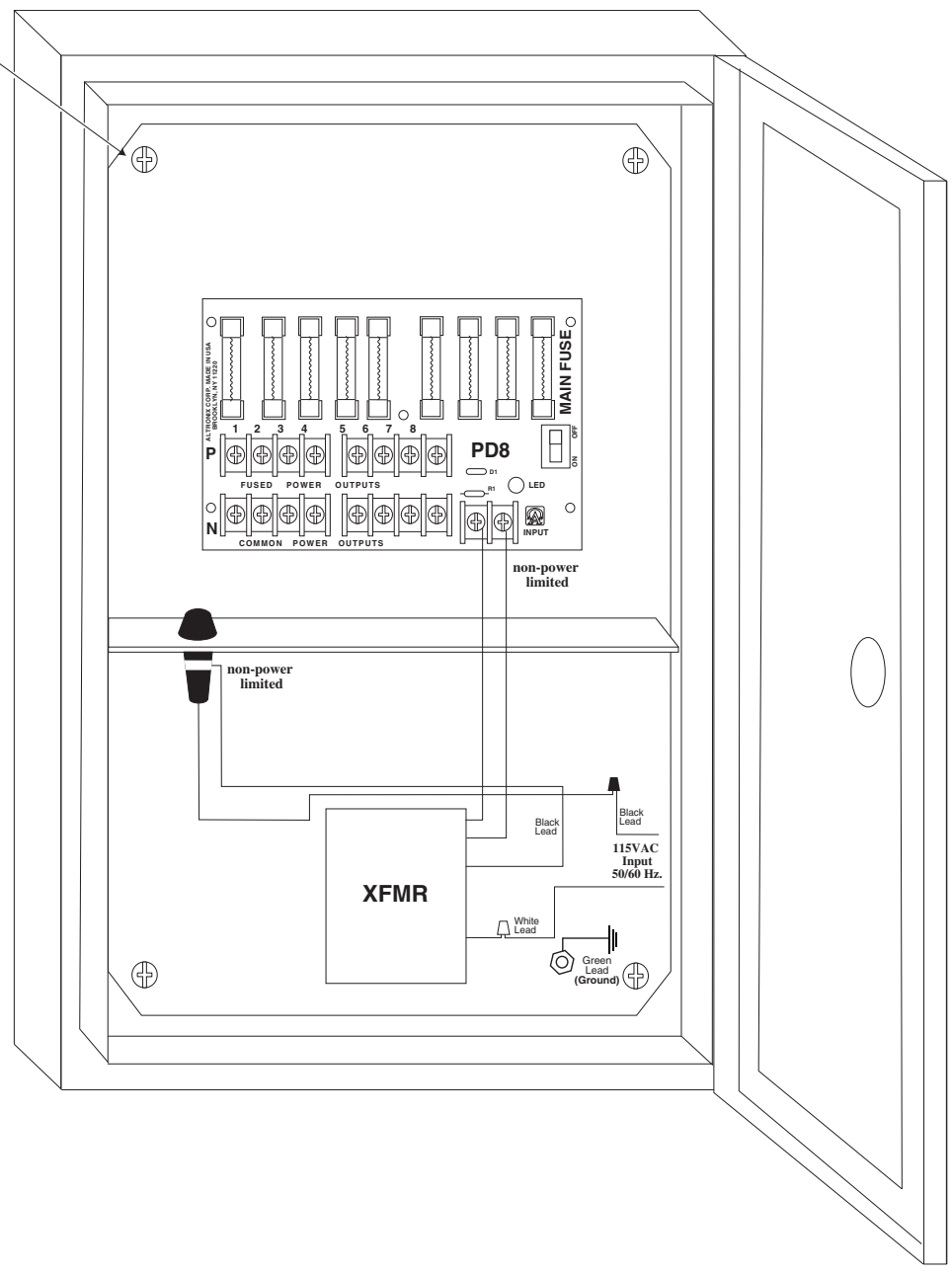
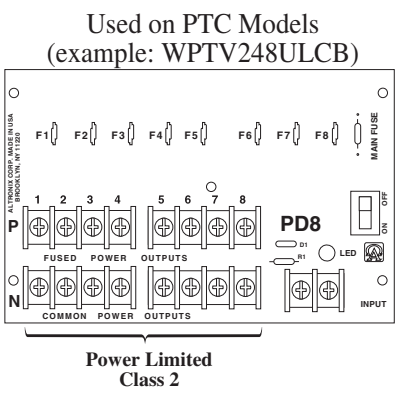


Fig. 2
WPTV248UL • WPTV248ULCB

Fig. 2A



Terminal Blocks for Fig. 2

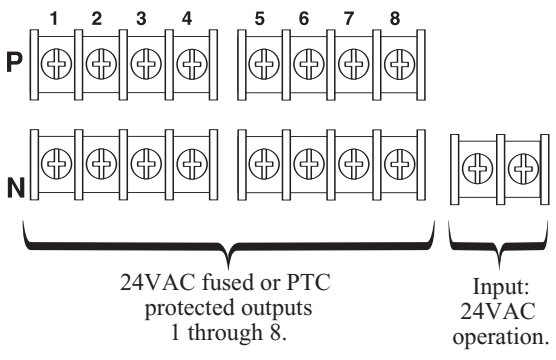
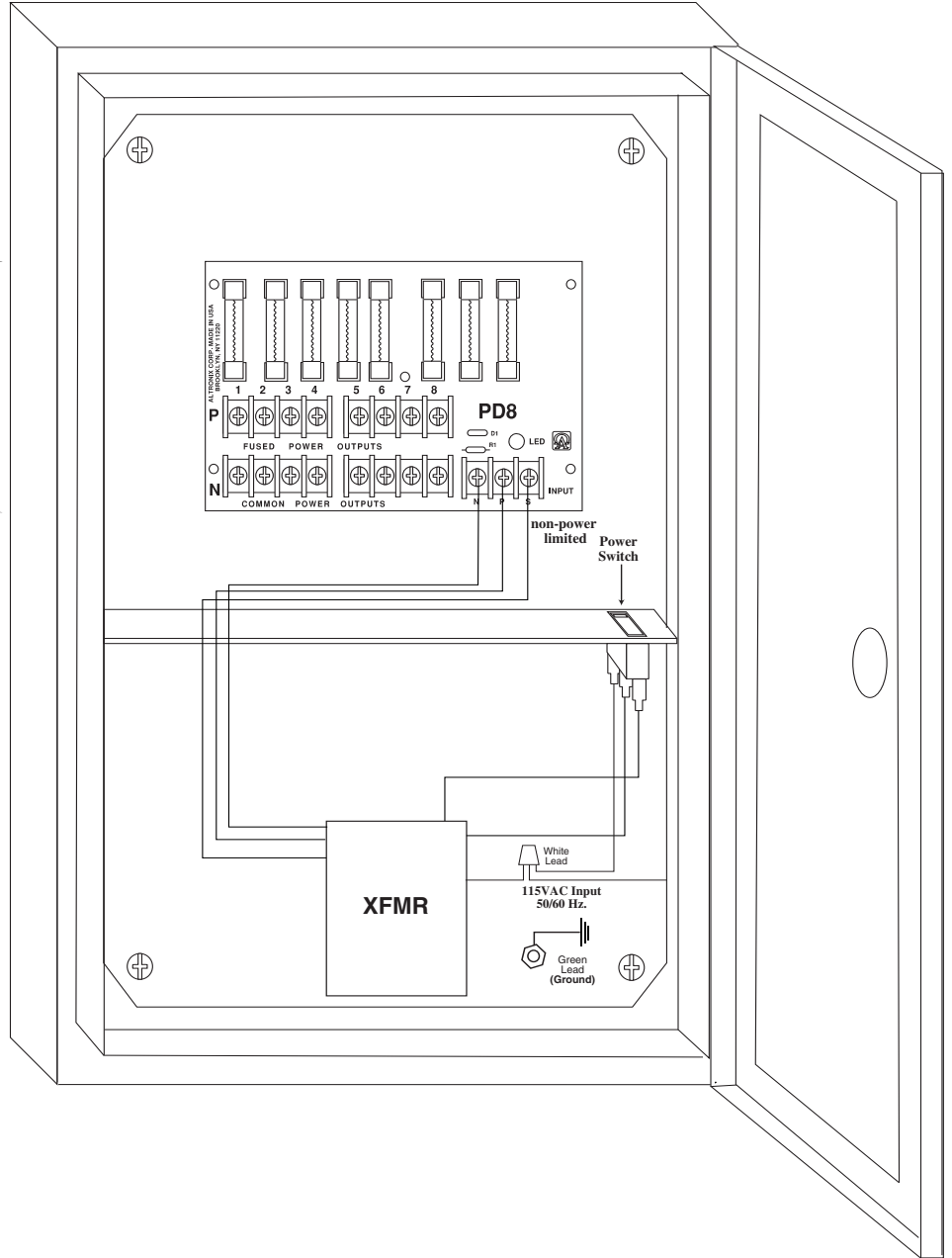
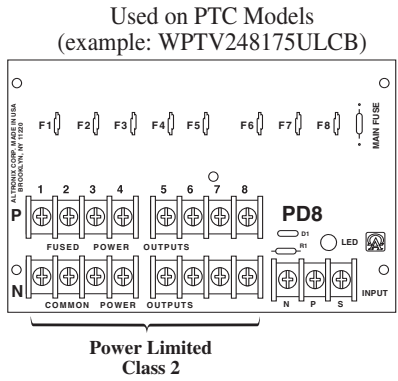


Fig. 3
WPTV248175UL • WPTV248175ULCB



Terminal Blocks for Fig. 3

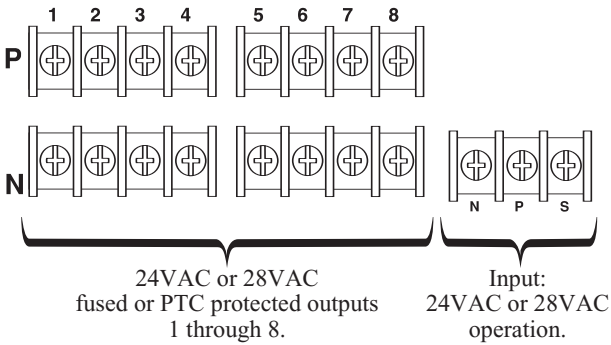
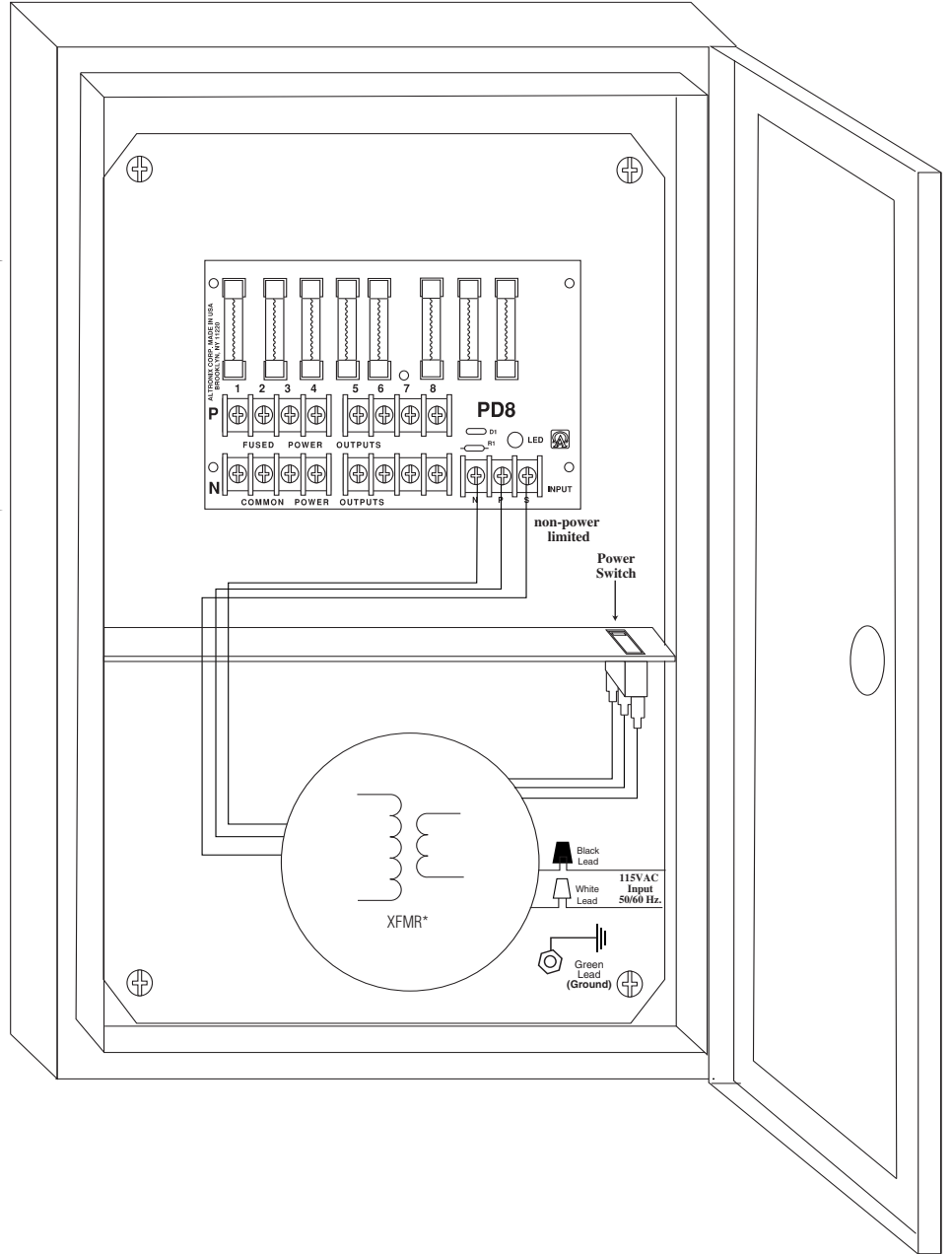
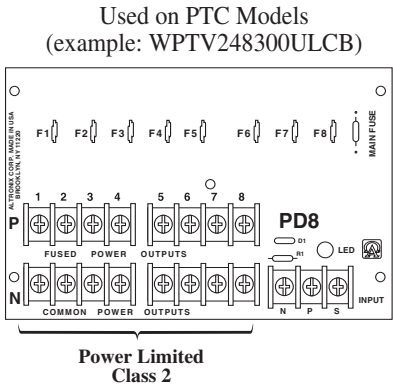
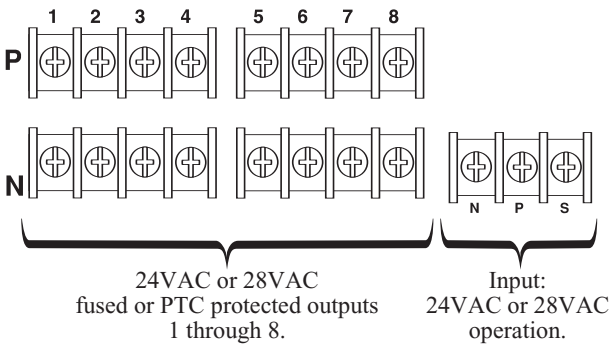


Fig. 4
WPTV248300UL • WPTV248300ULCB



Terminal Blocks for Fig. 4





The lightning flash with arrow head symbol within an equilateral triangle is intended to alert the user to the presence of an insulated "DANGEROUS VOLTAGE" within the products enclosure that may be of sufficient magnitude to constitute an electric shock.



The exclamation point within an equilateral triangle is intended to alert the user to the presence of important operating and maintenance (servicing) instructions in the literature accompanying the appliance.



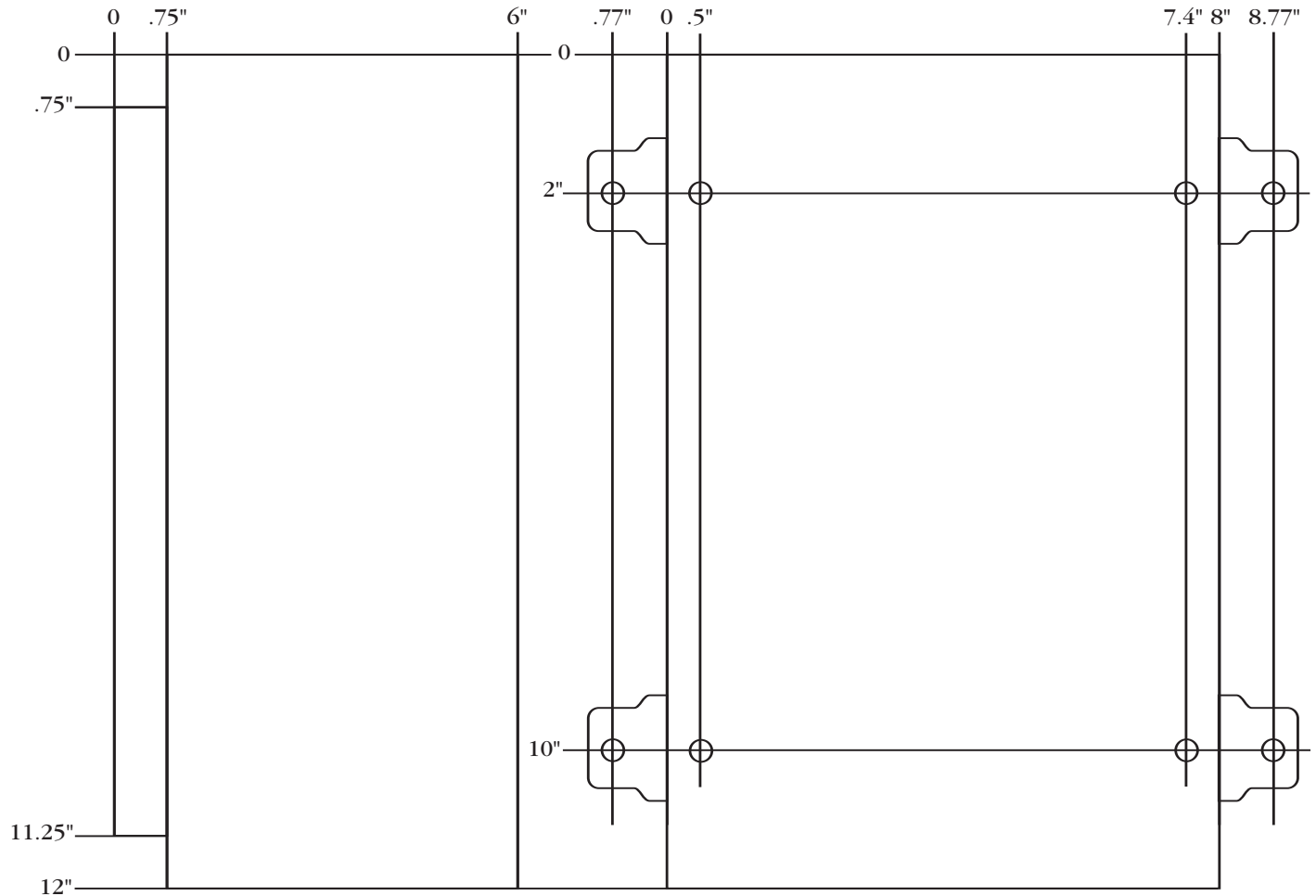
CAUTION
RISK OF ELECTRIC SHOCK
DO NOT OPEN



CAUTION: To reduce the risk of electric shock do not open enclosure. There are no user serviceable parts inside. Refer servicing to qualified service personnel.

Enclosure Dimensions

12"H x 8"W x 6"D



Altronix is not responsible for any typographical errors.

Altronix Corp.
140 58th Street, Brooklyn, New York 11220 USA, 718-567-8181, fax: 718-567-9056
web site: www.altronix.com, e-mail: info@altronix.com, Lifetime Warranty, Made in U.S.A.
II1WPTV248UL Series F15D

