



# VERTILINE

## ***CCTV Isolated Rack Mount Power Supplies***

### ***Installation Guide***

#### ***Models Include:***

##### ***Vertiline8i***

- 24VAC or 28VAC @ 8 amp
- Eight (8) fuse protected electronically isolated outputs

##### ***Vertiline16i***

- 24VAC or 28VAC @ 16 amp
- Sixteen (16) fuse protected electronically isolated outputs

##### ***Vertiline8Di***

- 24VAC or 28VAC @ 8 amp
- Eight (8) PTC protected electronically isolated outputs

##### ***Vertiline16Di***

- 24VAC or 28VAC @ 16 amp
- Sixteen (16) PTC protected electronically isolated outputs



### Overview:

Altronix Vertiline AC Isolated CCTV Rack Mount Power Supplies provide 8 or 16 camera channels in a space saving 1U EIA 19” rack mount chassis which may be rack, wall or shelf mounted. The units feature individually selectable 24VAC and/or 28VAC power outputs.

### Specifications:

- Selectable 115VAC/230VAC 50/60 Hz input.
- Eight (8) or sixteen (16) individually selectable 24VAC or 28VAC power outputs with OFF position.
- Individual electronically isolated outputs.
- Eight (8) or sixteen (16) power LED indicators.
- External automotive blade fuses or PTC protected outputs.
- Illuminated power disconnect circuit breaker with manual reset.
- Removable terminal blocks with locking screw flange.
- Ease of installation saves time and eliminates costly labor.
- Compact 1U rack mount chassis.
- Fits standard EIA 19” rack.
- Units can be rack, wall or shelf mounted.

### Eight (8) & Sixteen (16) Output Rack Mount Configuration Reference Chart:

Altronix Model Number	Output Voltage (VAC)	Total Output Current (Power)	Number of Isolated Outputs		Output Protection	Current (max. per output)	Fuse Ratings	115VAC 50/60Hz Input Current	230VAC 50/60Hz Input Current
Vertiline8i	24VAC or 28VAC	8 amp	8	Fused	3 amp	3 amp	3.5 amp	2 amp	
Vertiline8Di	24VAC or 28VAC	8 amp	8	PTC	2.5 amp	–			
Vertiline16i	24VAC or 28VAC	16 amp	16	Fused	3 amp	3 amp	7 amp	4 amp	
Vertiline16Di	24VAC or 28VAC	16 amp	16	PTC	2.5 amp	–			

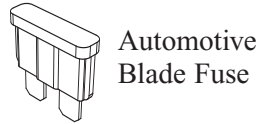
### Installation Instructions:

1. Set the input voltage selector switch located on the left side of the Vertiline unit for 115VAC or 230VAC operation (*Fig. 1c, pg. 4*).
2. Attach mounting brackets to Vertiline unit for rack or wall mount installation (*Figs. 4-5, pg. 7*). Affix rubber pads to Vertiline for shelf installation (*Fig. 6, pg. 7*).
3. Secure the unit in a rack, mount unit to a wall or place unit on a shelf as desired (unit should be spaced at least 3” from any video monitors).
4. Plug the grounded AC line cord (included) into the IEC 320 connector of the Vertiline unit (*Fig. 1f, pg. 4*). Insert the plug end of the line cord into a grounded AC receptacle.
5. Set illuminated master power disconnect circuit breaker to the (ON) position (*Fig. 3, pg. 6*).
6. Select 24VAC or 28VAC power output for cameras 1-8 for Vertiline8i and Vertiline8Di or cameras 1-16 for Vertiline16i and Vertiline16Di with the corresponding voltage adjustment switches (*Fig. 1b, pg. 4*).
7. Measure output voltage before connecting cameras. This helps avoid potential damage. All terminals with common suffix (P) “1P, 2P ...” are the same polarity.
8. Set illuminated master power disconnect circuit breaker to the (OFF) position (*Fig. 3, pg. 6*).
9. Connect the power outputs of terminals marked [1P & 1N] to the power inputs of camera 1 (*Fig. 2, pg. 5*). Repeat this step for each additional camera (Outputs 2-16). After wiring is completed insert terminal block into the corresponding connector and secure by tightening the screws.
10. Upon completion of wiring, set illuminated master power disconnect circuit breaker to the ON (RESET) position (*Fig. 3, pg. 6*).

11. The power LEDs (Green) on the faceplate for Outputs 1-8 for Vertiline8i and Vertiline8Di or Outputs 1-16 for Vertiline16i and Vertiline16Di will illuminate when AC power is present (*Fig. 1a, pg. 4*). If all of the LEDs are OFF there may be a complete loss of supply power to the Vertiline unit or the illuminated master power disconnect circuit breaker is in the OFF position.

**To restore the power output for Vertiline8i or Vertiline16i:**

- 1- Switch corresponding output voltage switch to the OFF position (*Fig. 1b, pg. 4*).
- 2- Eliminate the trouble condition.
- 3- Replace the corresponding automotive blade fuse.



Automotive  
Blade Fuse

**Replace fuses with same type and rating:**

Output fuses are rated @ 3 amp for all models.

- 4- Switch output voltage switch to the 24VAC or 28VAC position as desired (*Fig. 1b, pg. 4*).

**To restore the power output for Vertiline8Di or Vertiline16Di:**

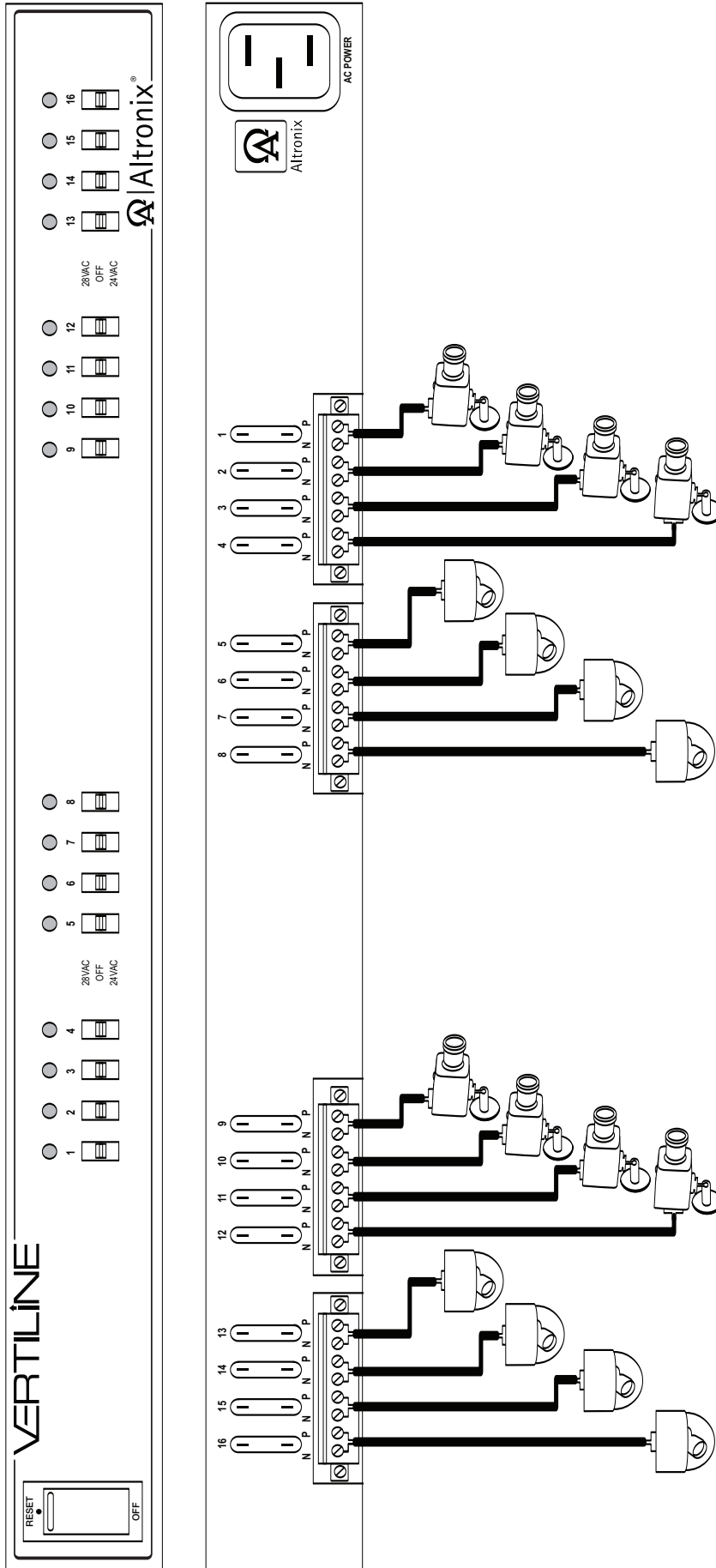
- 1- Switch corresponding output voltage switch to the OFF position (*Fig. 1b, pg. 4*).
- 2- Eliminate the trouble condition.
- 3- Allow 1 minute for PTC to cool off.
- 4- Switch output voltage switch to the 24VAC or 28VAC position as desired (*Fig. 1b, pg. 4*).

**WARNING: To reduce the risk of fire or electric shock, do not expose the unit to rain or moisture. This installation should be made by qualified service personnel and should conform to all local codes and in accordance with the National Electrical Code.**



Fig. 2

Typical Hookup:





The lightning flash with arrow head symbol within an equilateral triangle is intended to alert the user to the presence of an insulated “DANGEROUS VOLTAGE” within the products enclosure that may be of sufficient magnitude to constitute an electric shock.



The exclamation point within an equilateral triangle is intended to alert the user to the presence of important operating and maintenance (servicing) instructions in the literature accompanying the appliance.



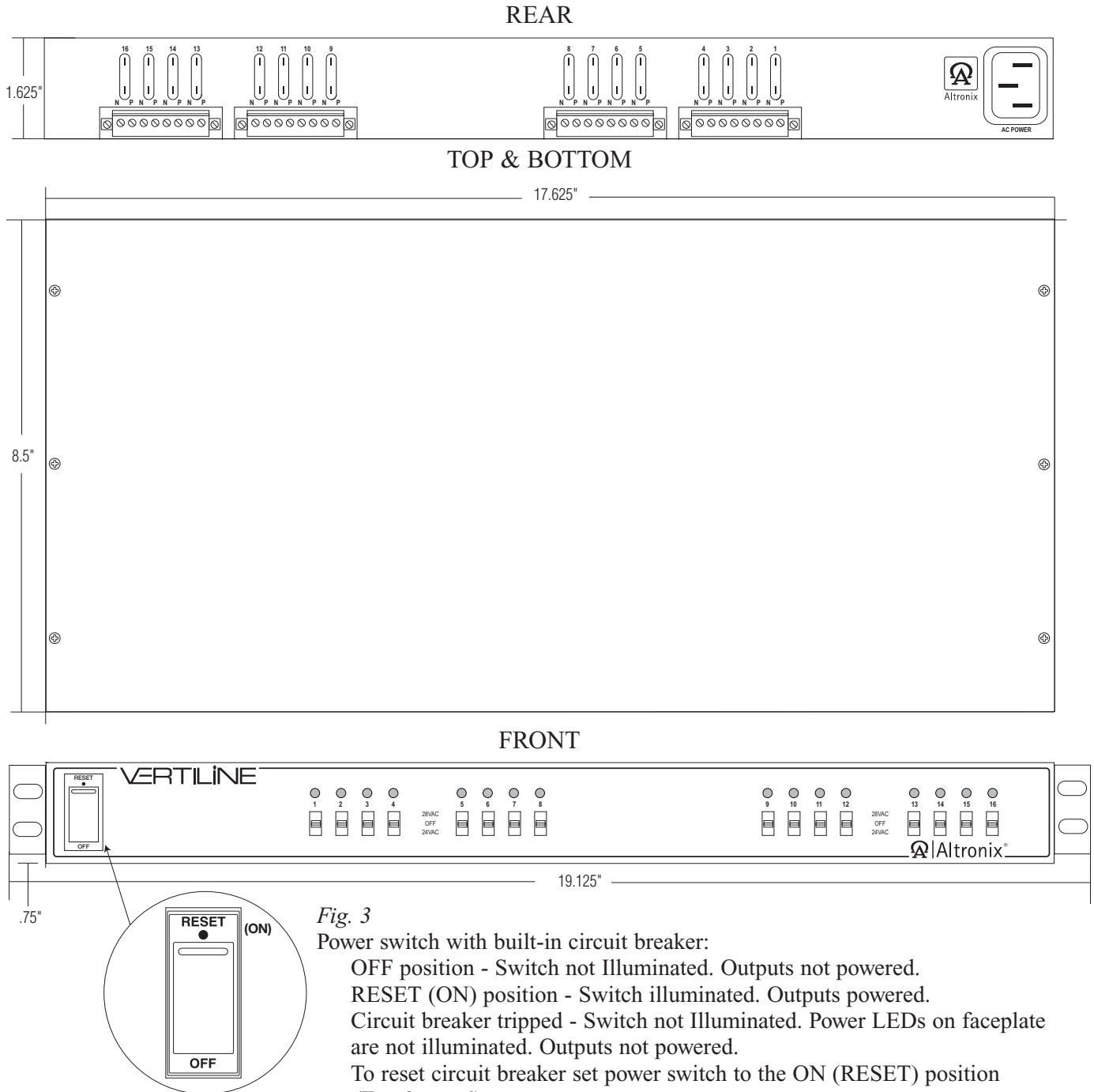
**CAUTION**  
RISK OF ELECTRIC SHOCK  
DO NOT OPEN



**CAUTION:** To reduce the risk of electric shock do not open enclosure. There are no user serviceable parts inside. Refer servicing to qualified service personnel.

**1U EIA 19” Rack Mount Chassis Mechanical Drawing & Dimensions:**

1.625”H x 19.125”W x 8.5”D



**Fig. 3**  
Power switch with built-in circuit breaker:  
 OFF position - Switch not Illuminated. Outputs not powered.  
 RESET (ON) position - Switch illuminated. Outputs powered.  
 Circuit breaker tripped - Switch not Illuminated. Power LEDs on faceplate are not illuminated. Outputs not powered.  
 To reset circuit breaker set power switch to the ON (RESET) position (Fig. 3, pg. 6).

## Mounting Options:

### Rack Mount Installation

- 1- Remove factory installed screws from both sides of rack chassis (Fig. 4a).
- 2- Install mounting brackets (A) on the left and right side of rack chassis using the two (2) flat head screws (B) (included) (Fig. 4b).
- 3- Place unit into desired EIA 19" rack position and secure with mounting screws (not included) (Fig. 4c).

Fig. 4

Fig. 4a

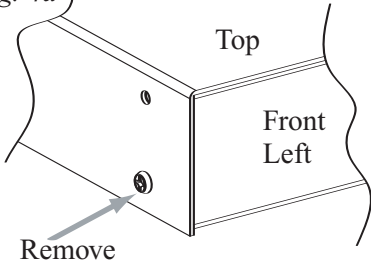


Fig. 4b

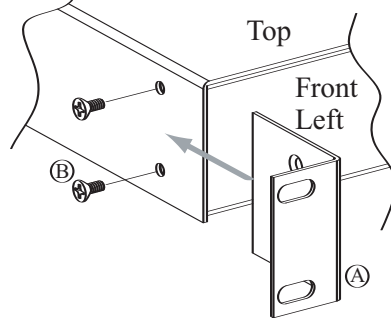
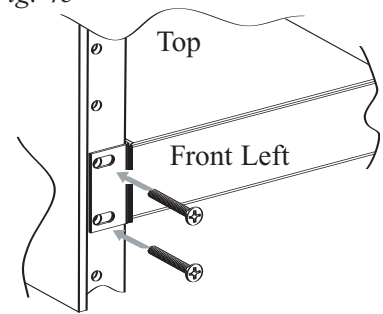


Fig. 4c



### Wall Mount Installation

- 1- Install mounting brackets (A) on the left and right side of rack chassis using two (2) flat head screws (B) (included) (Fig. 5a).
- 2- Place unit at desired location and secure with mounting screws (not included) (Fig. 5b).

**Caution:** It is necessary to make sure mounting screws are securely fastened to a beam when installing.

Fig. 5

Fig. 5a

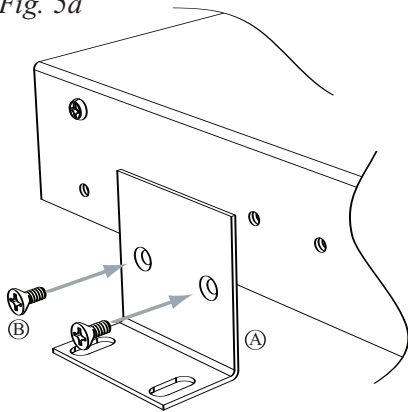
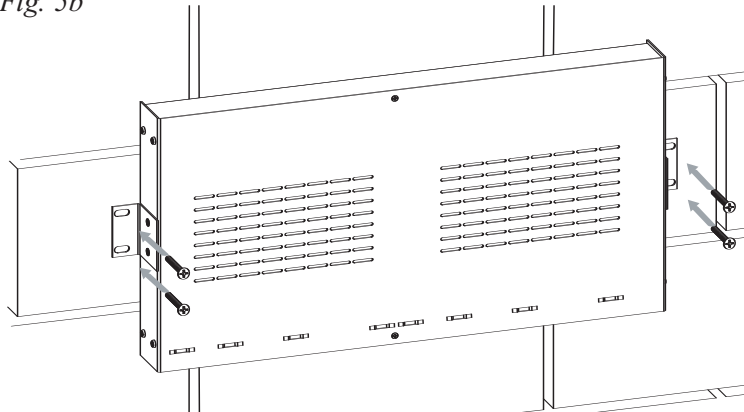


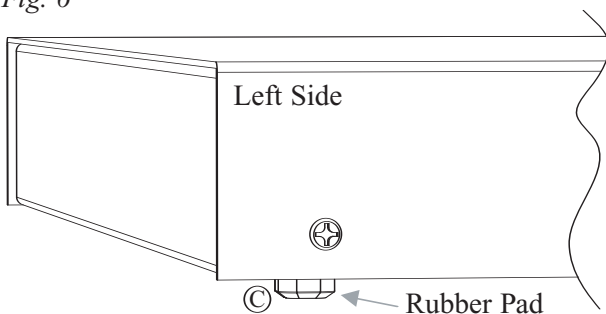
Fig. 5b



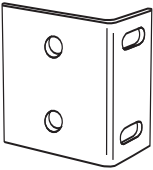
### Shelf Installation

- 1- Position and affix rubber pads (C) (included) at each corner on the bottom of the unit (Fig. 6).
- 2- Place unit in desired location.



Fig. 6




**Mounting Hardware (Included):**



(A) Two (2) mounting brackets

(B) Six (6) flat head screws for mounting brackets.



(C) Four (4) rubber pads.

## **Notes:**

Altronix is not responsible for any typographical errors.

---

Altronix Corp.  
140 58th Street, Brooklyn, New York 11220 USA, 718-567-8181, fax: 718-567-9056  
web site: [www.altronix.com](http://www.altronix.com), e-mail: [info@altronix.com](mailto:info@altronix.com), Lifetime Warranty, Made in U.S.A.  
IIVertiline8i/Vertiline16iSeries C20H

