



Isolated Series CCTV Power Supplies

Installation Guide

Models Include:

- ***ALTV248ULHI***
 - ***24VAC @ 12.5 amp total output.***
 - ***Eight (8) 1.6 amp Fuse Protected Isolated Outputs.***
- ***ALTV248ULCBHI***
 - ***24VAC @ 12.5 amp total output.***
 - ***Eight (8) 1.6 amp PTC Protected Isolated Outputs.***
- ***ALTV248ULMI***
 - ***24VAC @ 12.5 amp total output.***
 - ***Eight (8) 1.6 amp Fuse Protected Isolated Outputs.***
- ***ALTV248ULCBMI***
 - ***24VAC @ 12.5 amp total output.***
 - ***Eight (8) 1.6 amp PTC Protected Isolated Outputs.***
- ***ALTV2416ULI***
 - ***24VAC @ 25 amp total output.***
 - ***Sixteen (16) 1.6 amp Fuse Protected Isolated Outputs.***
- ***ALTV2416ULCBI***
 - ***24VAC @ 25 amp total output.***
 - ***Sixteen (16) 1.6 amp PTC Protected Isolated Outputs.***



Overview:

These Altronix Isolated CCTV Power Supplies provide 24VAC distributed via eight (8) or sixteen (16) fuse or PTC protected isolated outputs for powering CCTV Cameras, heaters and other video accessories.

Isolated Power Supply Reference Chart:

Altronix Model Number	Output Voltage	Total Output Current	Number of Outputs	PTC Protected Outputs	Fuse Protected Outputs	Output Current (max per output)	115VAC 50/60Hz Input Current
ALTV248ULHI	24VAC	12.5 amp	8	-	x	1.6 amp	3 amp
ALTV248ULCBHI	24VAC	12.5 amp	8	x	-	1.6 amp	3 amp
ALTV248ULMI	24VAC	12.5 amp	8	-	x	1.6 amp	3 amp
ALTV248ULCBMI	24VAC	12.5 amp	8	x	-	1.6 amp	3 amp
ALTV2416ULI	24VAC	25 amp	16	-	x	1.6 amp	6 amp
ALTV2416ULCBI	24VAC	25 amp	16	x	-	1.6 amp	6 amp

Add suffix "3" for 3-wire line cord (e.g. ALTV248ULHI3).

Specifications:

- UL Listed for Commercial CCTV Equipment (UL2044).
CUL Listed - CSA Standard C22.2 No.1-98, Audio, Video and Similar Equipment.
- Individual electronically isolated outputs.
- Illuminated master Power ON/OFF switch w/built in circuit breaker.
- Unit maintains camera synchronization.
- Ease of installation saves time & eliminates costly labor.
- Spare fuses included (on fuse protected models).

Enclosure Dimensions:

ALTV248ULMI, ALTV248ULCBMI:
8.5"H x 7.5"W x 3.5"D

ALTV248ULHI, ALTV248ULCBHI,
ALTV2416ULI and ALTV2416ULCBI:
13"H x 13.5"W x 3.25"D

Installation Instructions:

1. Mount unit in desired location.
2. Set power switch to OFF position on all models (*Figs. 1-3, pgs. 3-5*).
3. All units are factory set for 24VAC operation.
4. Secure green lead to earth ground. Connect AC power to the black and white flying leads of the transformer(s) (*Figs. 1-3, pgs. 3-5*). Use 18 AWG or larger for all power connections.
Keep power limited wiring (PTC protected outputs only) separate from non-power limited wiring. Minimum .25" spacing must be provided. Use separate knockouts
5. Measure output voltage before connecting devices. This helps avoid potential damage. Terminals marked [1A - 8A] and [1B - 8B] are of the same polarity (phase).
6. Connect CCTV cameras to output terminals using the following procedure:

Camera 1 to output 1A & 1B.	Camera 5 to output 5A & 5B.
Camera 2 to output 2A & 2B.	Camera 6 to output 6A & 6B.
Camera 3 to output 3A & 3B.	Camera 7 to output 7A & 7B.
Camera 4 to output 4A & 4B.	Camera 8 to output 8A & 8B.
7. Set power switch on all models to the "RESET" (ON) position (*Figs. 1-3, pgs. 3-5*).
8. Upon completion of wiring, secure enclosure door with screws (supplied).
Caution: Equipment to be installed / serviced by authorized / trained personnel only. Shut branch circuit power before installing / servicing equipment.

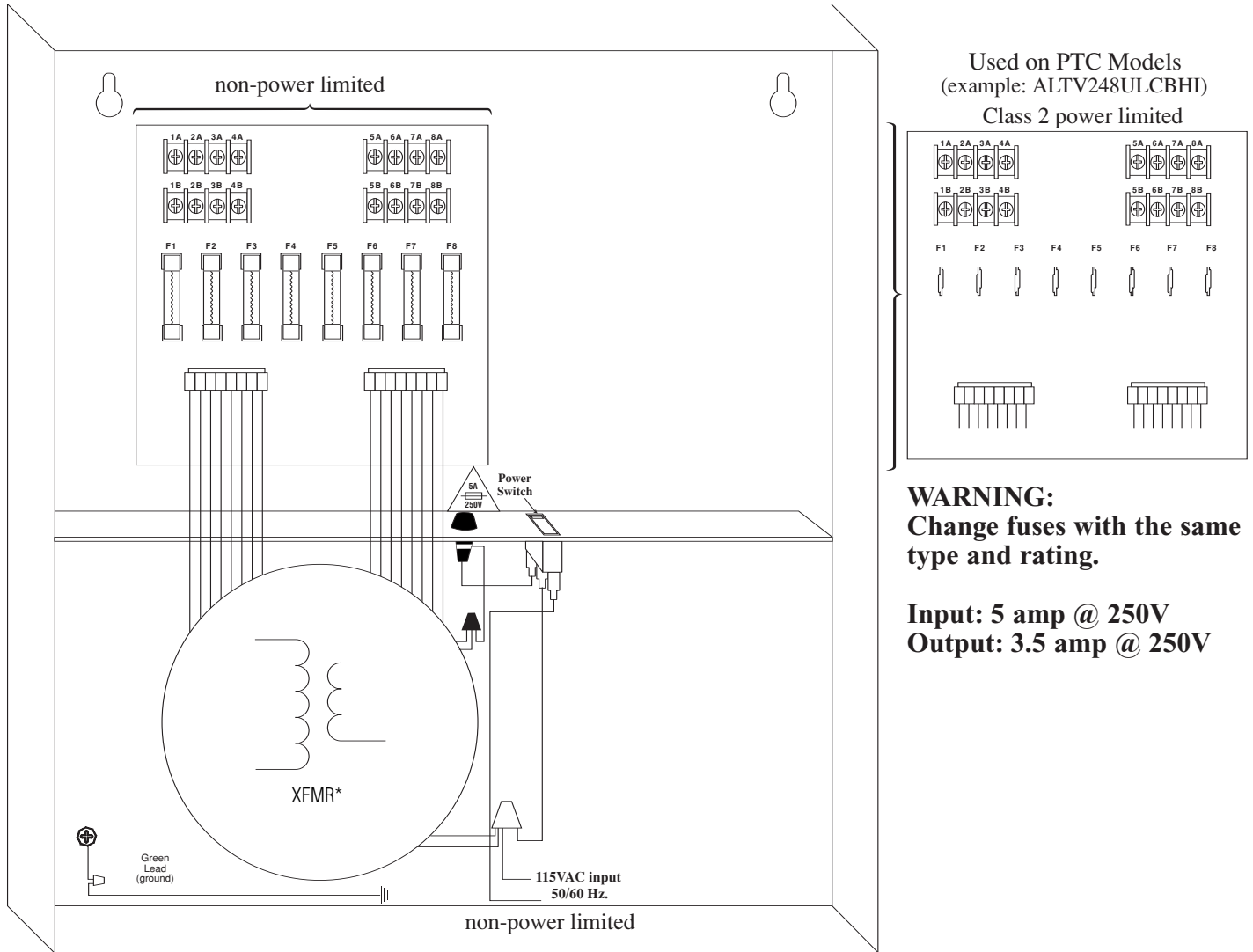
WARNING: To reduce the risk of fire or electric shock, do not expose the unit to rain or moisture. This installation should be made by qualified service personnel and should conform to all local codes and in accordance with the National Electrical Code. Use 75C or higher rated UL insulated wiring for connecting unit to the mains. Replace fuses with same type and rating (3.5 amp/250V).

Terminal Identification:

PD8I - Power Distribution Module

1A - 8A	Phase 1.
1B - 8B	Phase 2.

Fig. 1 - ALTV248ULHI • ALTV248ULCBHI



The lightning flash with arrow head symbol within an equilateral triangle is intended to alert the user to the presence of an insulated “DANGEROUS VOLTAGE” within the products enclosure that may be of sufficient magnitude to constitute an electric shock.



The exclamation point within an equilateral triangle is intended to alert the user to the presence of important operating and maintenance (servicing) instructions in the literature accompanying the appliance.

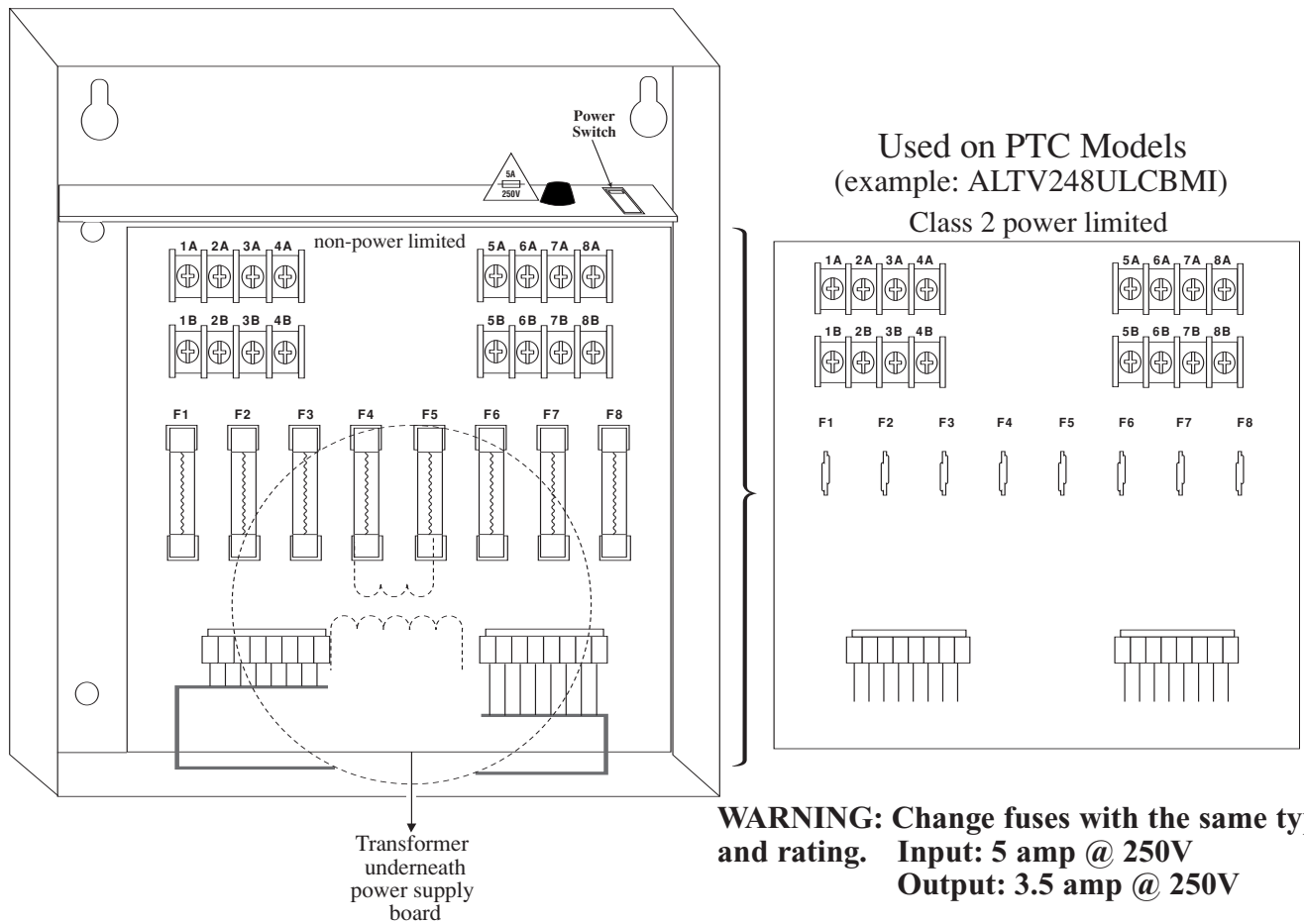


CAUTION
RISK OF ELECTRIC SHOCK
DO NOT OPEN



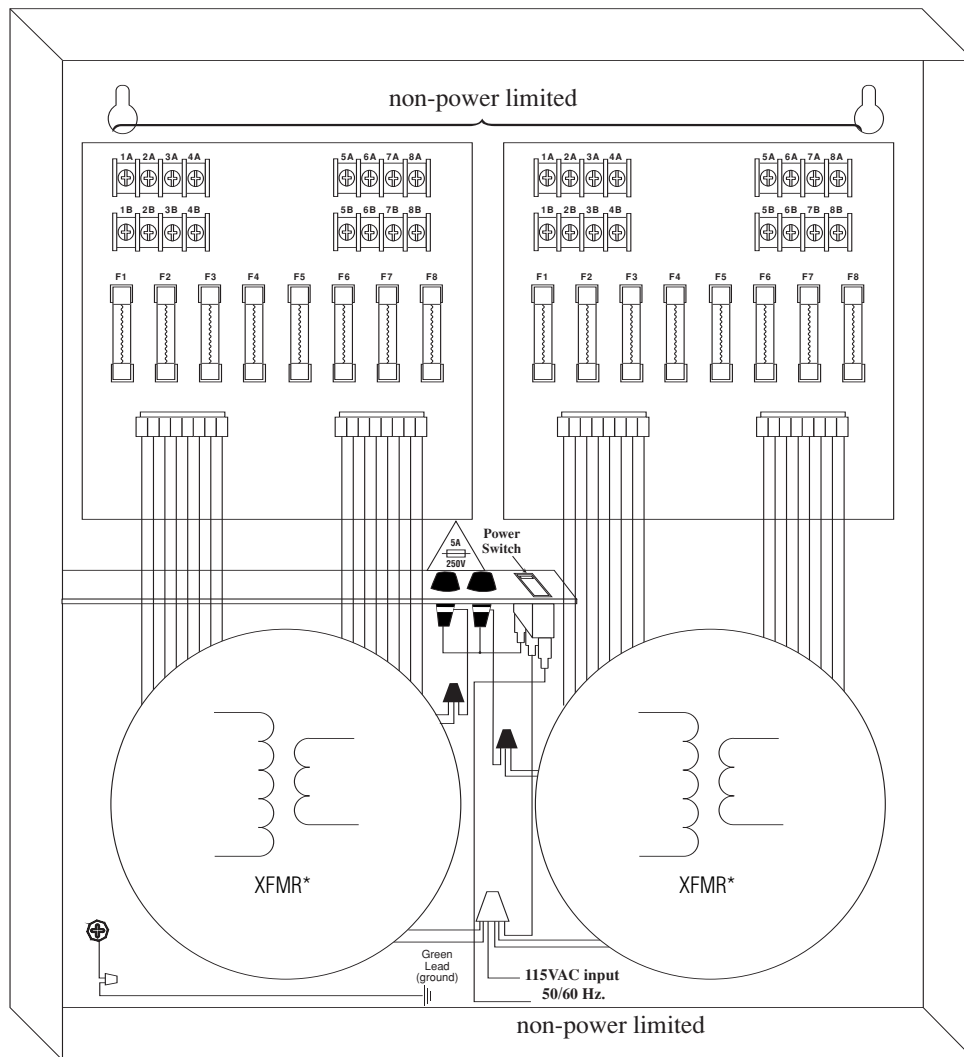
CAUTION: To reduce the risk of electric shock do not open enclosure. There are no user serviceable parts inside. Refer servicing to qualified service personnel.

Fig. 2 - ALTV248ULMI • ALTV248ULCBMI

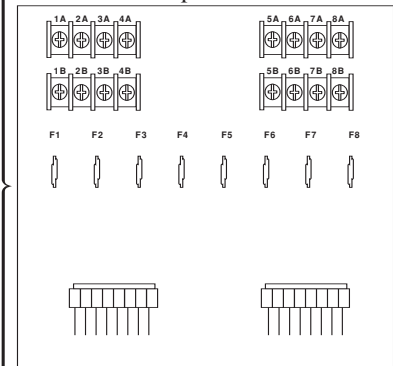


WARNING: Change fuses with the same type and rating. Input: 5 amp @ 250V Output: 3.5 amp @ 250V

Fig. 3 - ALTV2416ULI • ALTV2416ULCBI



Used on PTC Models
(example: ALTV2416ULCBI)
Class 2 power limited



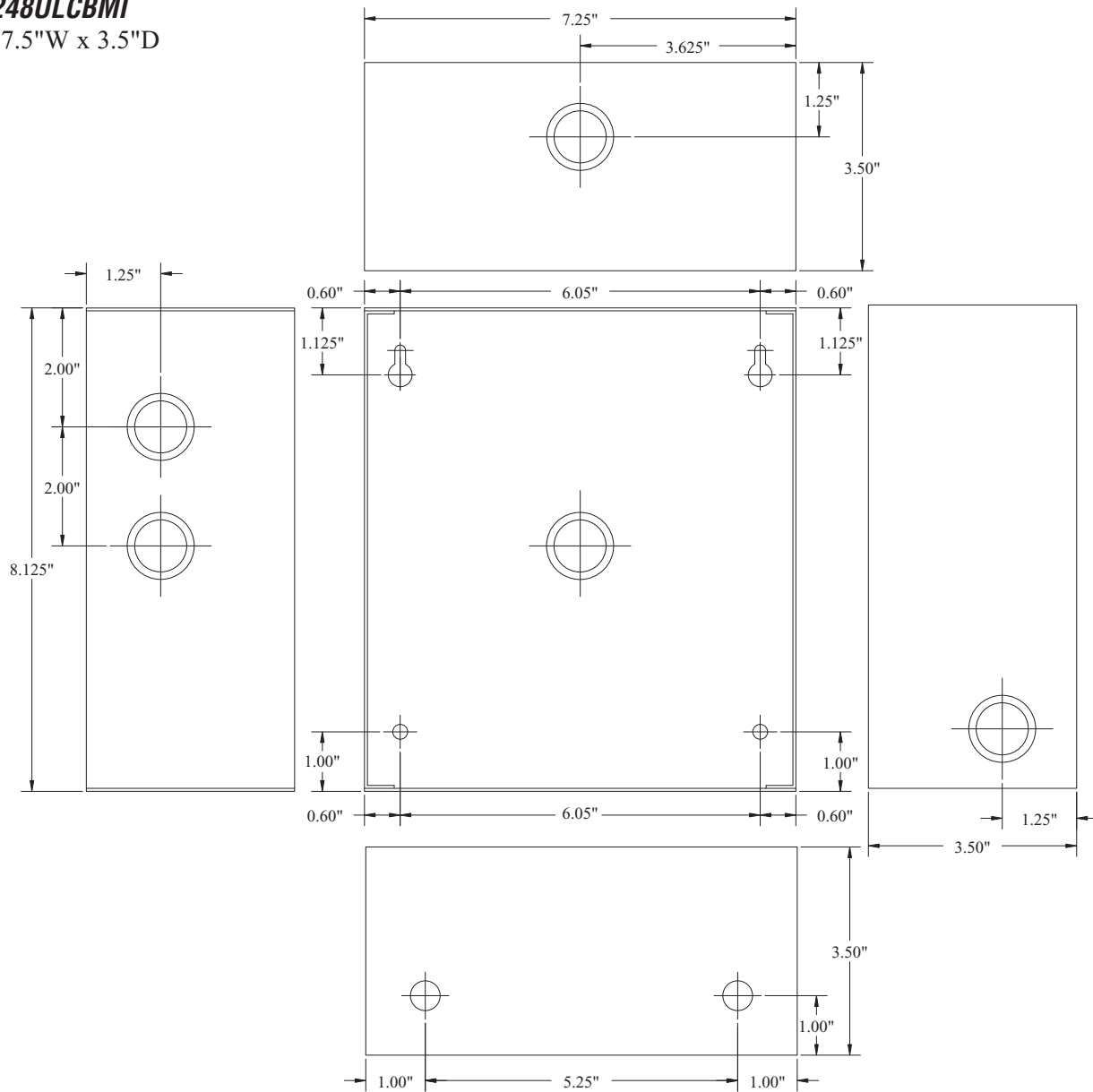
**WARNING: Change fuses with the same type and rating.
Input: 5 amp @ 250V
Output: 3.5 amp @ 250V**

Enclosure Dimensions for:

• **ALTV248ULMI**

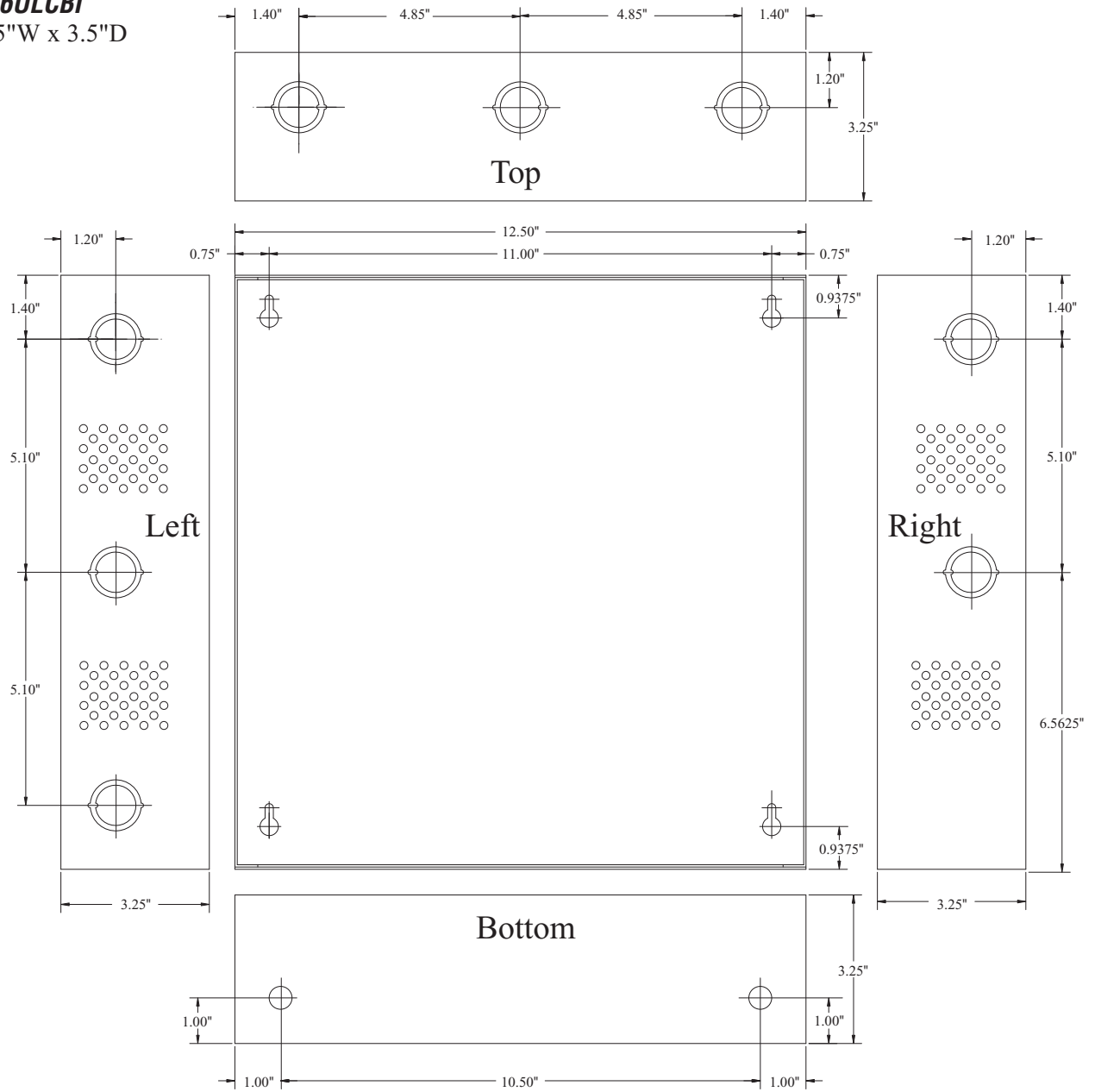
• **ALTV248ULCBMI**

8.5"H x 7.5"W x 3.5"D



Enclosure Dimensions for:

- **ALTV248ULHI**
 - **ALTV248ULCBHI**
 - **ALTV2416ULI**
 - **ALTV2416ULCBI**
- 13"H x 13.5"W x 3.5"D



Notes:

Altronix is not responsible for any typographical errors.

Altronix Corp.
140 58th Street, Brooklyn, New York 11220 USA, 718-567-8181, fax: 718-567-9056
web site: www.altronix.com, e-mail: info@altronix.com, Lifetime Warranty, Made in U.S.A.
IIULisolatedSeries A04G

UL Isolated Series

