



# T28300WP - Weatherproof CCTV Power Supply

## Overview:

The Altronix T28300WP Weatherproof CCTV Camera Power Supply provides a 28VAC output with a total of 12 amp continuous supply current. It's unique NEMA 4 UL Listed enclosure allows installation right at the outdoor CCTV equipment. This reduces the need for long wire runs virtually eliminating voltage drops.

## Specifications:

### Input:

- Input 115VAC 50/60 Hz, 2.7 amp.

### Output:

- 28VAC output.
- 12 amp (336VA) total supply current.

### Additional Features:

- NEMA 4 weatherproof enclosure.
- Ease of installation saves time and eliminates costly labor.

### Enclosure Dimensions:

12"H x 8"W x 6"D

## Installation Instructions:

1. Mount T28300WP in desired location
2. Connect the AC power to the black flying leads of the transformer following the appropriate wiring configuration.
3. Connect devices to be powered to the two (2) flying leads of the transformers output.  
**Note:** It is important to measure output voltage before connecting devices. This helps avoid potential damage.
4. Upon completion of wiring, secure enclosure door.

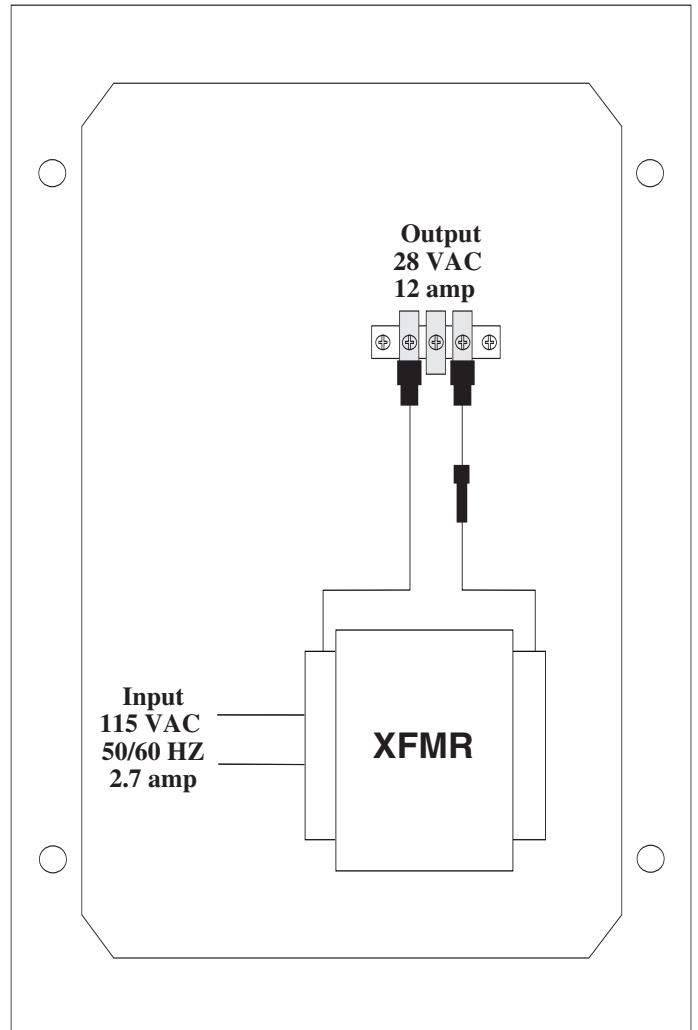
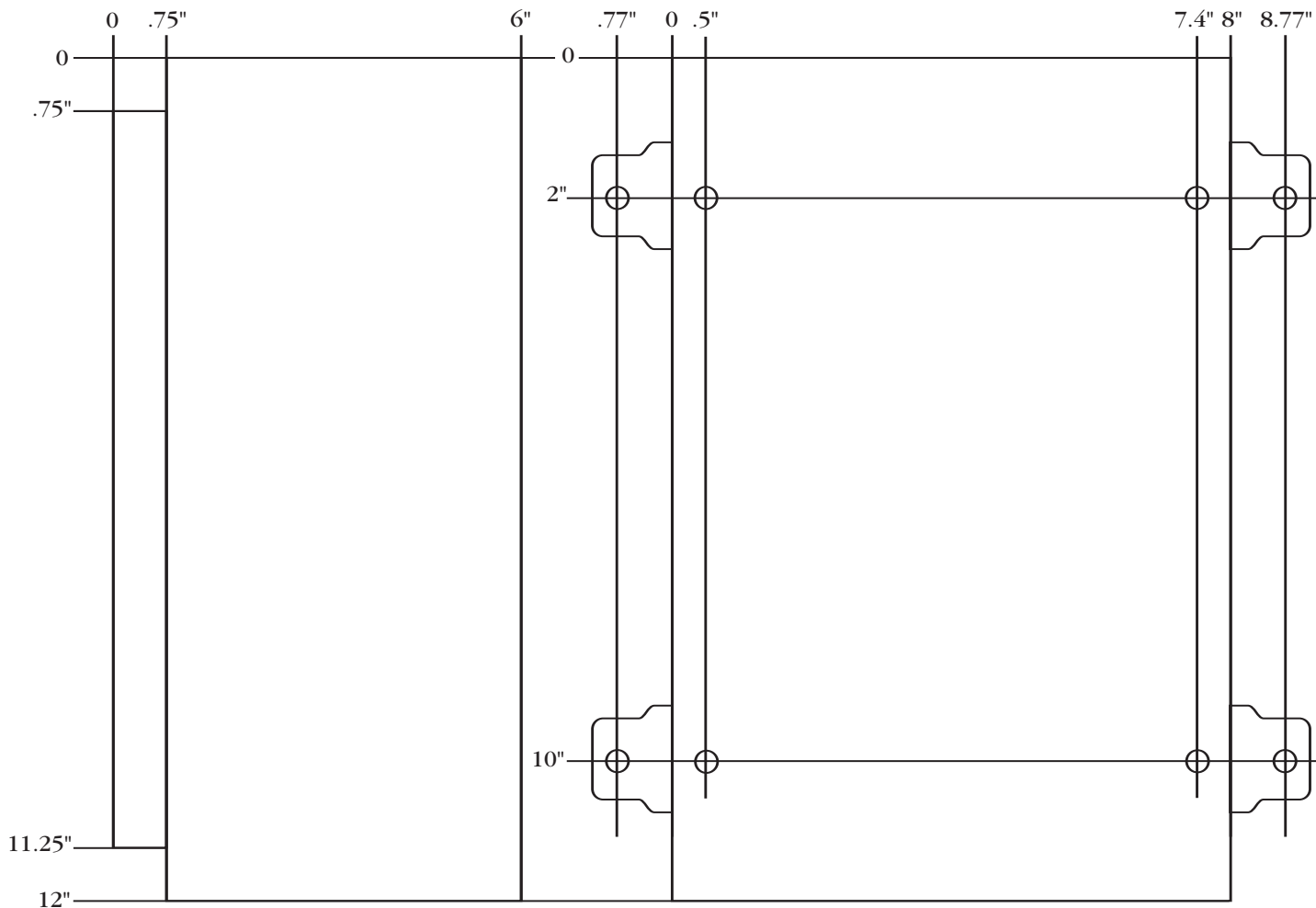


Fig. 1

**WARNING: This installation should be made by qualified service personnel and should conform to all local codes and in accordance with the National Electrical Codes.**

**Enclosure Dimensions:**

12"H x 8"W x 6"D



**MEMBER** Altronix is not responsible for any typographical errors. Product specifications are subject to change without notice.