

Specification:

Input:

- 115VAC 50/60Hz 3 amp.

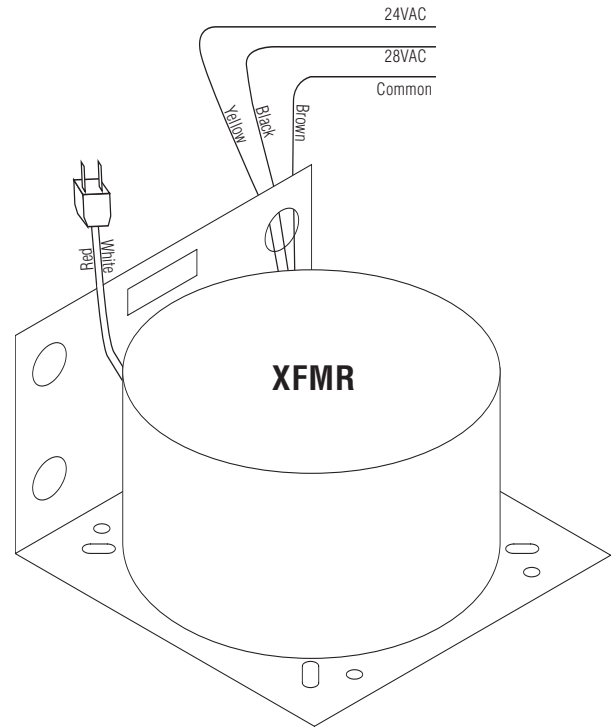
Output:

- 24VAC @ 14 amp or 28VAC @ 12.5 amp supply current.

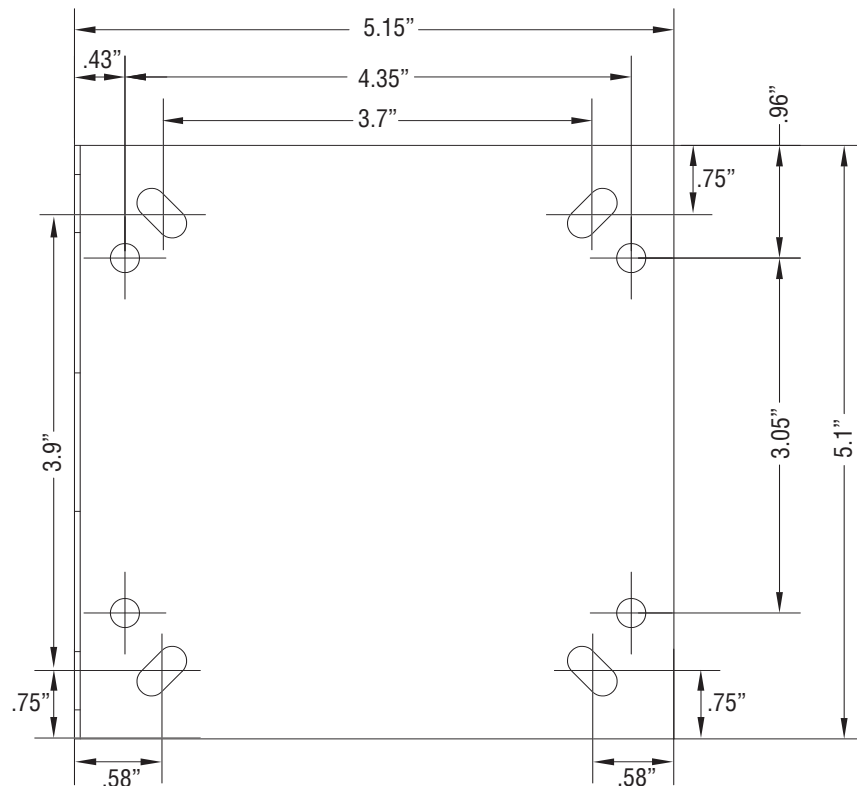
Installation Instructions:

1. Mount transformer in desired location.
2. If desired, mount the line cord using strain relief supplied.
3. Connect the line cord to red and white flying leads of transformer.
4. Select desired output voltage and insulate the lead not in use.
 - For 24VAC output use brown and yellow leads, insulate black lead.
 - For 28VAC output use brown and black leads, insulate yellow lead.

WARNING: This installation should be made by qualified service personnel and should conform to all local codes and in accordance with the National Electrical Codes.



Bracket Dimensions:



Altronix is not responsible for any typographical errors. Product specifications are subject to change without notice.