

Specification Chart (transformer listed at 120VAC input):

Model #	Output	Amp	A	B	C	D	E	F	G	H	Approx. Ship Wt.
T2428175	24VAC/175VA	7.25	3.125"	3.75"	3"	1.625"	3.125"	2.55"	2.5"	3"	3.5 lbs.
	28VAC/175VA	6.25									

Installation Instructions:

1. Mount Transformer in desired location/enclosure.
2. Connect two-wire line cord to black and white leads of transformer (*Fig. 2, below*).
3. Plug in the AC (120VAC 50 / 60 Hz) to an outlet.
4. Measure output voltage before connecting devices. This helps avoid potential damage.
5. Connect devices to secondary terminals on the transformer.

For 24VAC configuration use brown and yellow leads, for 28VAC configuration use brown and black leads (*Fig. 1, below*).

WARNING: This installation should be made by qualified service personnel and should conform to all local codes and in accordance with the National Electrical Codes.

Fig. 1

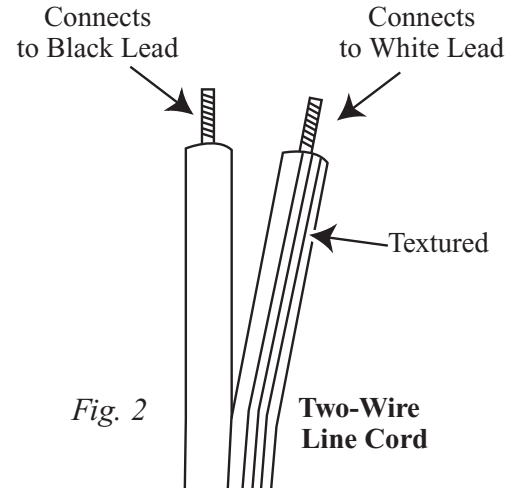
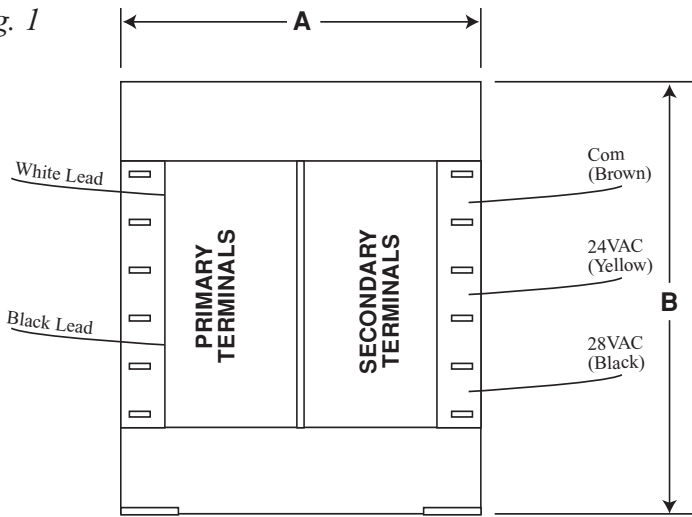
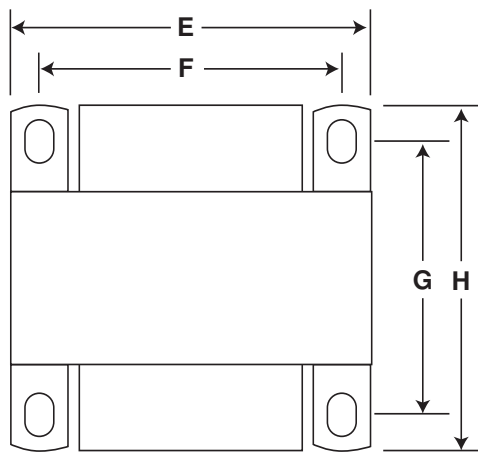
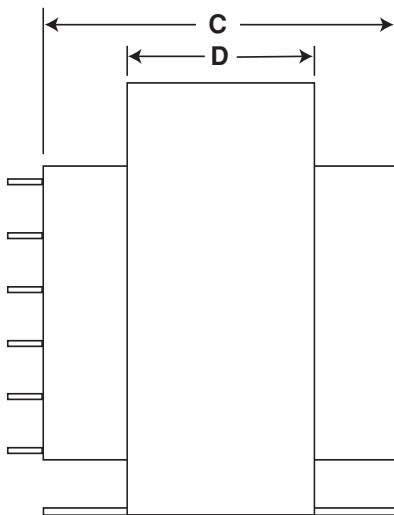


Fig. 2



Altronix is not responsible for any typographical errors. Product specifications are subject to change without notice.