



# Altronix®

## T24175C - AC Power Supply

### Overview:

T24175C AC Power Supply provides 24VAC with a total of 7.25 amp of continuous supply current.

### Specifications:

- Input 120VAC 50/60 Hz, 1.5 amp.
- 24VAC/175VA (7.25 amp) output.
- Fused input protection.
- Green grounding lead.

Enclosure dimensions: 5.75"H x 7"W x 4.5"D

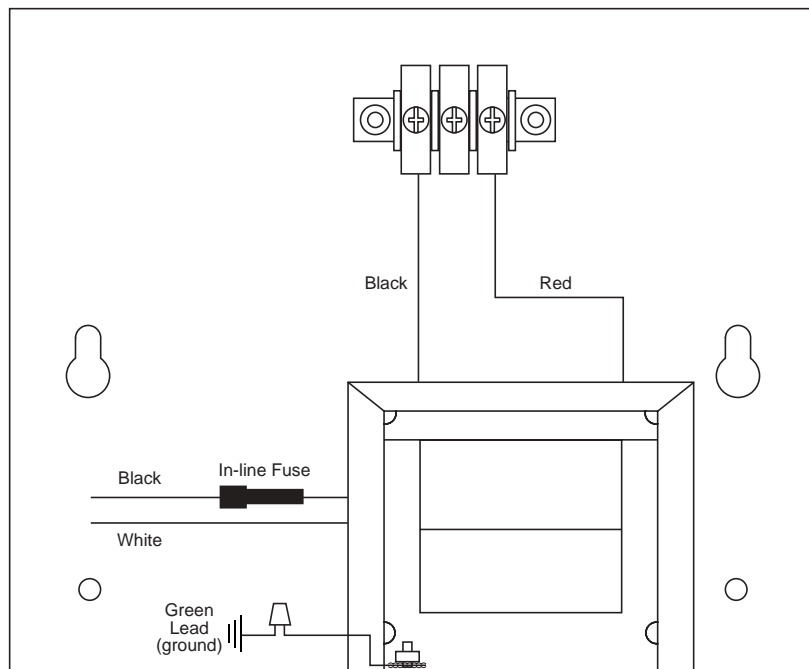
### Installation Instructions:

1. Mount T24175C in desired location.
2. Connect the AC (120VAC 50/60 Hz) to the black and white flying leads of the transformer (Fig. 1).  
**Note:** It is important to measure output voltage before connecting devices. This helps avoid potential damage.
3. Connect devices to terminal block on the inside back of the enclosure.
4. Upon completion of wiring, secure enclosure door with screws (supplied).



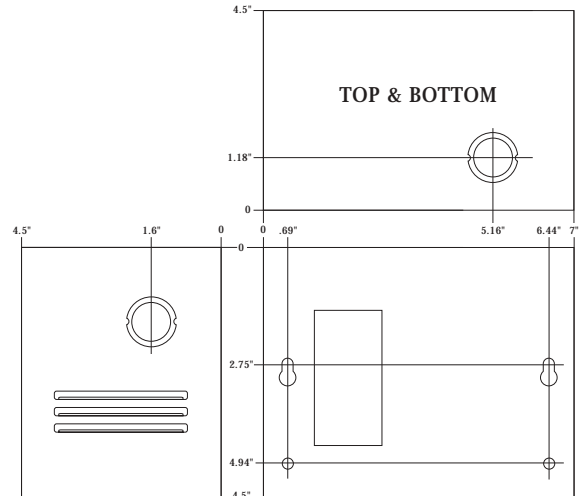
**WARNING: This installation should be made by qualified service personnel and should conform to all local codes and in accordance with the National Electrical Codes.**

Fig. 1



### Enclosure Dimensions:

5.75"H x 7"W x 4.5"D



Altronix is not responsible for any typographical errors. Product specifications are subject to change without notice.

