

SMP3CTX Series Power Supply Configuration Reference Chart:

Altronix Model Number	Accessory Power Distribution Module(s)	Number of Outputs	Fused Outputs	PTC Outputs	Individual Output Rating (amp)	Supervised	115VAC / 60Hz Input Current (amp)	12/24VDC Total Output Current (amp)
SMP3CTX	-	1	-	-	-	-	.65	2.5
SMP3PMCTX	-	1	-	-	-	x	.65	2.5
SMP3PMCTXXX	-	1	-	-	-	x	.65	2.5
SMP3PMP4	PD4	4	x	-	3.5	x	.65	2.5
SMP3PMP4CB	PD4CB	4	-	x	2.5	x	.65	2.5
SMP3PMP8	PD8	8	x	-	3.5	x	.65	2.5
SMP3PMP8CB	PD8CB	8	-	x	2.5	x	.65	2.5
SMP3PMP16	PD8	16	x	-	3.5	x	.65	2.5
SMP3PMP16CB	PD8CB	16	-	x	2.5	x	.65	2.5

Overview:

These units will convert a 115VAC / 60Hz input, into a regulated 12VDC or 24VDC output up 2.5 amp of continuous load current (see specifications).

Specifications:

- Maximum charge current .5 amp.
- Filtered and electronically regulated outputs.
- Built-in charger for sealed lead acid or gel type batteries.
- Automatic switch over to stand-by battery when AC fails (zero voltage drop).
- AC input and DC output LED indicators.
- Short circuit and thermal overload protection.
- Complete with power supply, power distribution module (when applicable), enclosure, cam lock & battery leads.
- Power on-off switch.

Supervised models only:

- AC fail supervision (form "C" contacts).
- Low battery supervision (form "C" contacts).

Power Supply Voltage Output Specifications: *

Output VDC	Switch Position	Max. Load DC
12VDC	SW1 - Closed (Fig. 1B, pg. 3)	2.5 amp
24VDC	SW1 - Open (Fig. 1B, pg. 3)	2.5 amp

*Specified at 25° C ambient.

Installation Instructions:

The unit should be installed in accordance with The National Electrical Code and all applicable Local Regulations.

1. Mount the unit in desired location.
2. Set SW1 on the power supply board to the desired DC output voltage (power supply voltage output specification chart).
3. Connect AC power to terminals marked [L & N], connect ground to terminal marked [G] (if used). Use 18 AWG or larger for all power connections (Battery, DC output). Use 22 AWG to 18 AWG for power limited circuits (AC Fail/Low Battery reporting).

Keep power limited wiring low battery, AC fail separate from non-power limited wiring (115VAC / 60Hz Input, Battery Wires, DC Output). Minimum .25" spacing must be provided.

4. Connect devices to be powered:
 - a. For Power Supply Board connect to terminals marked [+ DC -].
 - b. For Power Distribution Module(s) connect devices to be powered to terminal pairs 1 to 4 marked [1P & 1N thru 4P & 4N] (Fig. 2, pg. 3) or 1 to 8 marked [1P & 1N thru 8P & 8N] (Fig. 3, pg. 3) carefully observing correct polarity.

Note: Measure output voltage before connecting devices. This helps avoid potential damage.

***Note:** Power switch is used to disconnect the L (HOT) terminal from the rest of the board. When servicing the unit, AC mains should be removed.

5. When using stand-by batteries, they must be lead acid or gel type. Connect battery to terminals marked [- BAT +] (battery leads included). Use two (2) 12VDC batteries connected in series for 24VDC operation.

Note: When batteries are not used a loss of AC will result in the loss of output voltage.

For supervised models only:

6. Connect appropriate signaling notification devices to AC Fail & Low Bat supervisory relay outputs marked [NC, C, NO] (Fig. 1A, pg. 3).

LED Diagnostics:

Red (DC)	Green (AC)	Power Supply Status
ON	ON	Normal operating condition
ON	OFF	Loss of AC, Stand-by battery supplying power
OFF	ON	No DC output
OFF	OFF	Loss of AC. Discharged or no stand-by battery. No DC output.

Terminal Identification:

Terminal Legend	Function/Description
L, G, N	Connect 115VAC to these terminals: L to Hot, N to Neutral, G to ground (if used).
+ DC -	12VDC / 24VDC @ 2.5 amp continuous non-power limited output.
*AC FAIL N.O., C, N.C.	Used to notify loss of AC power, e.g. connect to audible device or alarm panel. Relay normally energized when AC power is present. Contact rating 1 amp @ 120VAC / 28VDC
*Low Battery N.O., C, N.C.	Used to indicate low battery condition, e.g. connect to alarm panel. Relay normally energized when DC power is present. Contact rating 1 amp @ 120VAC / 28VDC Low battery threshold: 12VDC output threshold set @ approximately 10.5VDC, 24VDC output threshold set @ approximately 21VDC.
- BAT +	Stand-by battery connections. Maximum charge rate .5 amp.

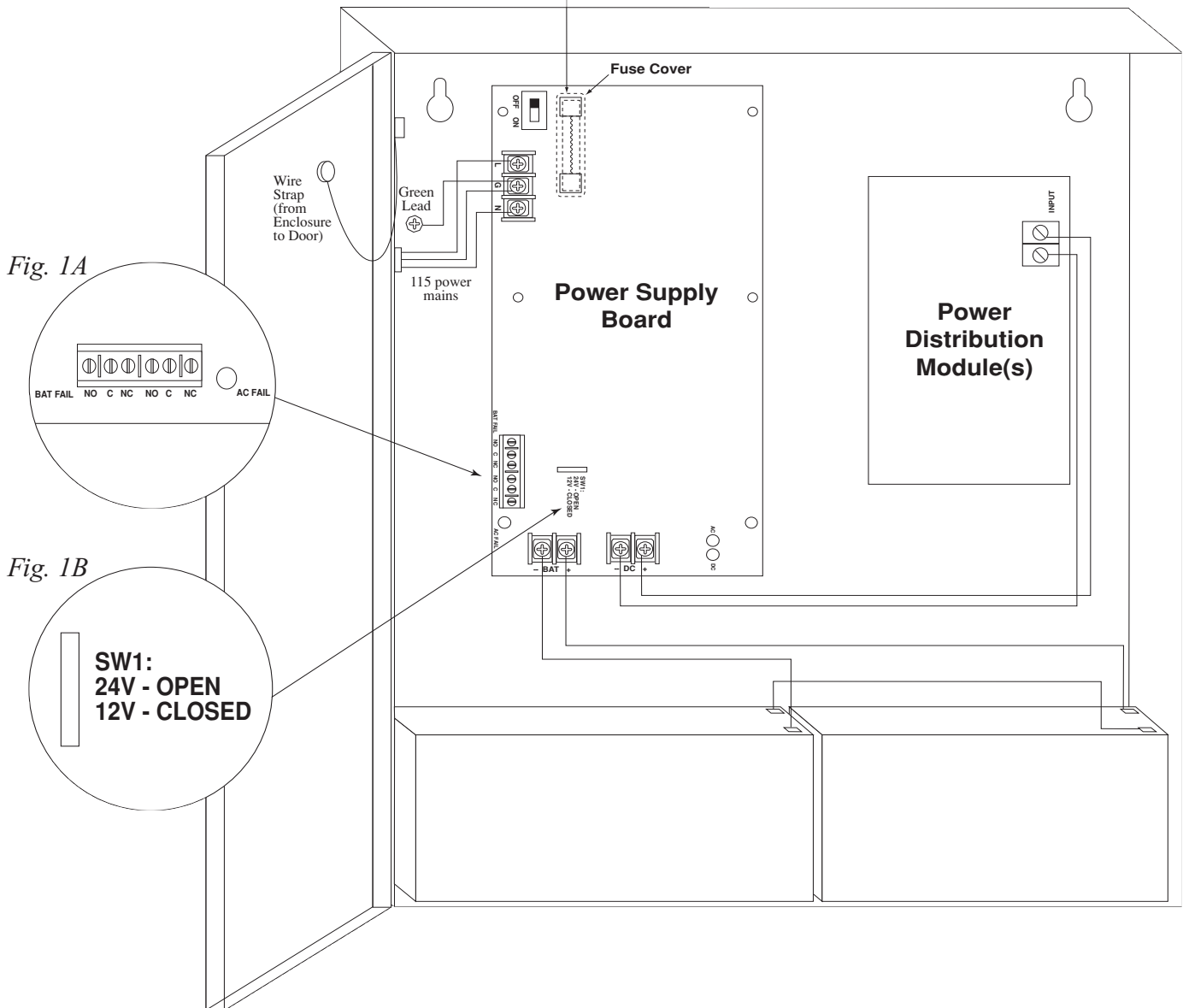
***Note:** Supervised models only

PD4/PD4CB/PD8/PD8CB - Power Distribution Module

Terminal Legend		Function/Description
PD4/PD4CB	PD8/PD8CB	
1P to 4P	1P to 8P	Positive DC power outputs.
1N to 4N	1N to 8N	Negative DC power outputs.

Fig. 1

CAUTION: De-energize unit prior to servicing. For continued protection against fire hazard replace fuse with the same type and rating 3.5A, 250V. Replace protective cover on the fuse of the power supply board, before energizing unit.



Power Distribution Module(s):

Fig. 2

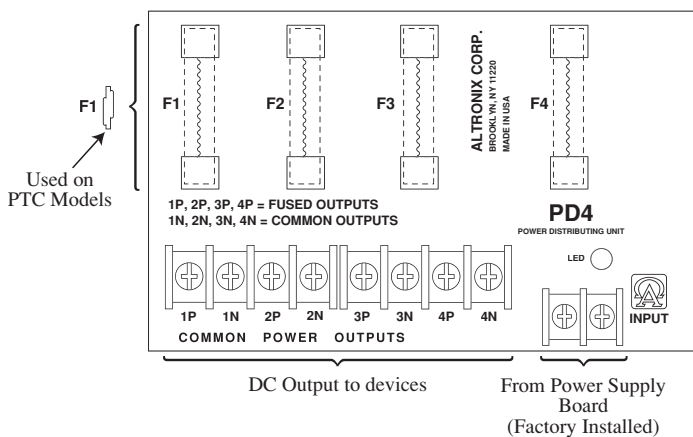
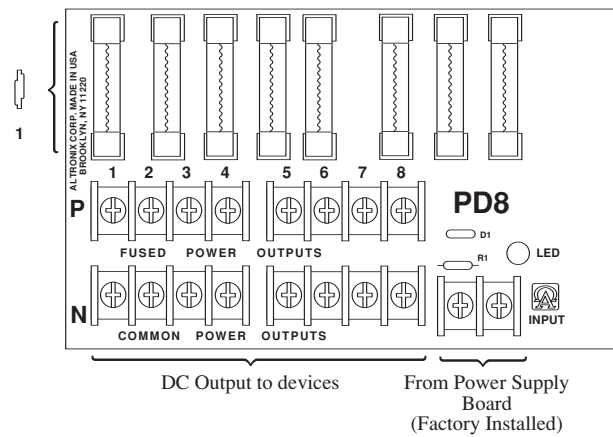


Fig. 3



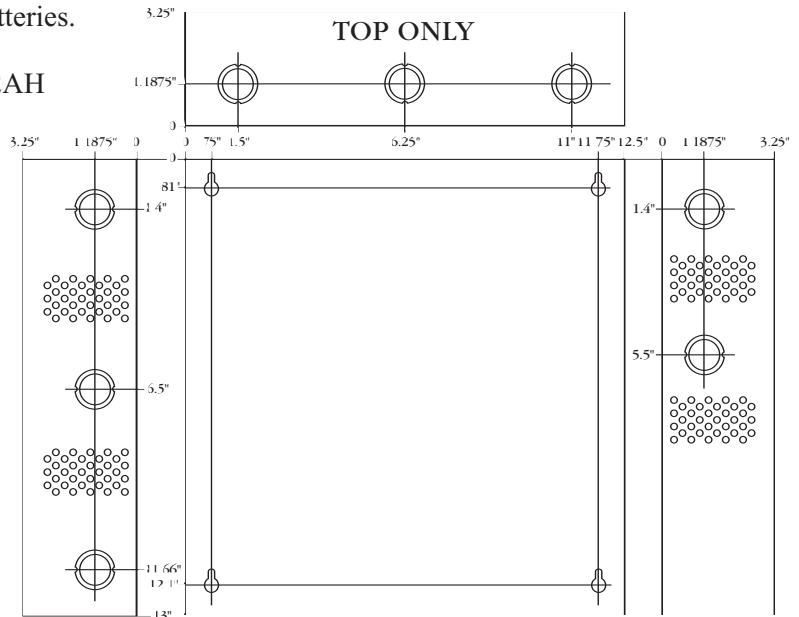
Enclosure Dimensions for:

- **SMP3PMCTX** • **SMP3PMP4** • **SMP3PMP4CB**
- **SMP3PMP8** • **SMP3PMP8CB**

13.5”H x 13”W x 3.25”D

Enclosure accomodates up to two (2) 12VDC/7AH batteries.

Also available to accomodate up to two (2) 12VDC/12AH batteries (please contact Altronix).

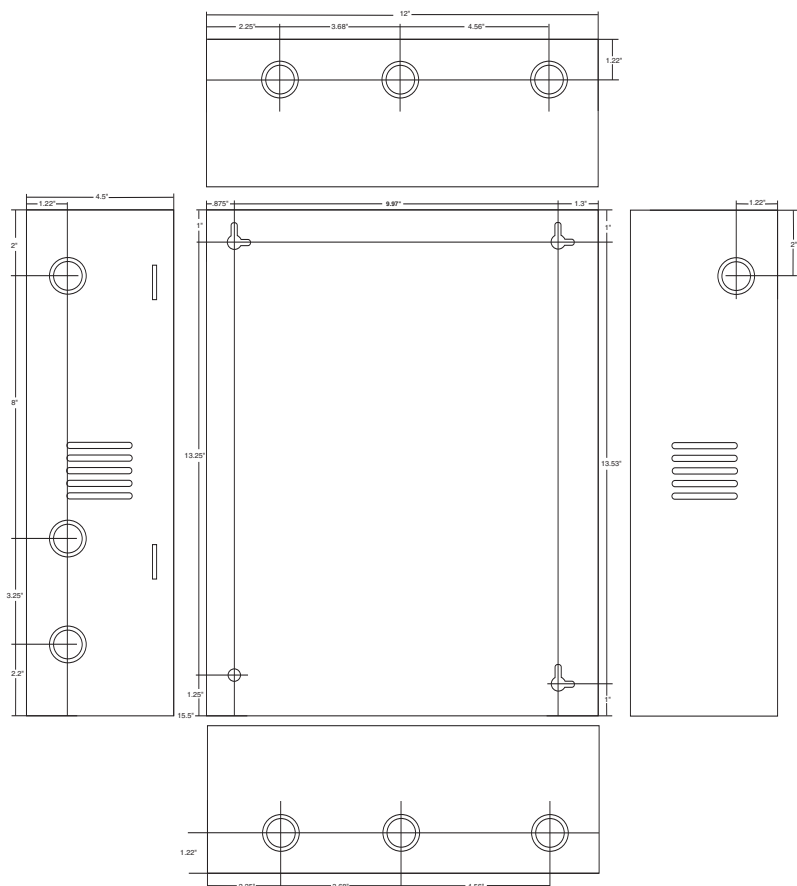


Enclosure Dimensions for:

- **SMP3PMCTXX** • **SMP3PMP16CB**
- **SMP3PMP16**

15.5”H x 12”W x 4.5”D

Enclosure accomodates up to two (2) 12VDC/12AH batteries.



Altronix is not responsible for any typographical errors. Product specifications are subject to change without notice.

