

RDC12

Specifications:


- UL Recognized.
- CSA Approved.
- 12VDC operation.
- Coil draws 80mA.
- 10 amp/120VAC/28VDC or 10 amp/277VAC DPDT contacts.
- DIN Rail mountable.

Dimensions: 2.7”L x 1.375”W x 2.375”H



RDC24

Specifications:


- UL Recognized.
- 24VDC operation.
- Coil draws 40mA.
- 10 amp/120VAC/28VDC or 10 amp/277VAC DPDT contacts.
- DIN Rail mountable.

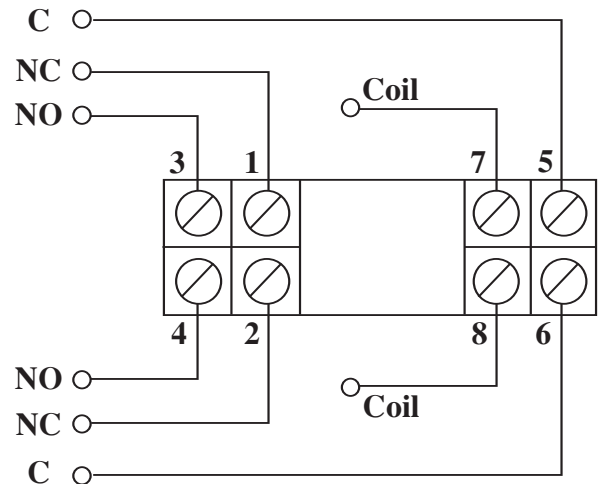
Dimensions: 2.7”L x 1.375”W x 2.375”H

RDC48

Specifications:


- UL Recognized.
- 48VDC operation.
- Coil draws 20mA.
- 10 amp/120VAC/28VDC or 10 amp/277VAC DPDT contacts.
- DIN Rail mountable.

Dimensions: 2.7”L x 1.375”W x 2.375”H


RDC12/RDC24/RDC48 Installation Instructions:

1. Mount RDC12 or RDC24 or RDC48 in desired location.
2. Plug relay into base.
3. Relay will activate when coil terminals marked [7 & 8] are energized.
Note: Match input voltage with relay coil rating.
4. Use output contacts to make and break load circuits.