

## Overview:

The PD8ULCB is a UL Recognized component power distribution module, designed to convert a single AC or DC input into eight (8) PTC protected, Class 2 Rated power limited outputs.

## Specifications:

### Agency Listings:

- UL Recognized component for Access Control System Units (UL 294) and for Power Supplies for Fire Protective Signaling Systems (UL 1481).



### Input:

- 28VAC or 28VDC.

### Outputs:

- Eight (8) PTC protected Class 2 Rated power limited outputs @ 2.5 amp per output max. current (total output current should not exceed max. current rating of power supply employed).
- Surge suppression.

### Visual Indicators:

- Power on green LED indicator.

### Board Dimensions (approximate):

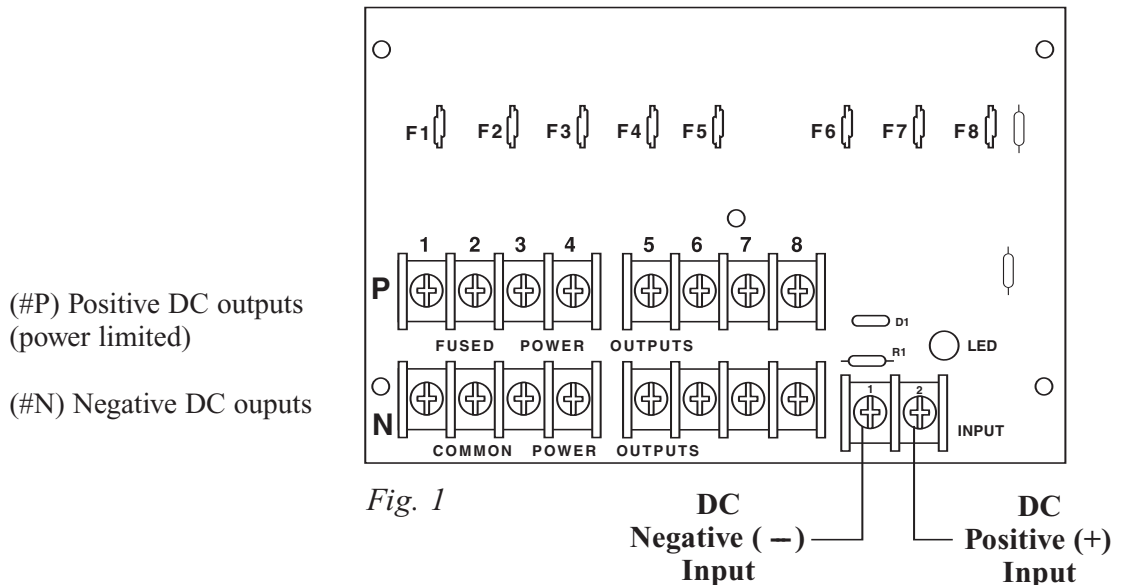
5.25”L x 3.25”W x 1”H

## Installation Instructions:

1. Mount PD8ULCB in desired power supply/enclosure.
2. Connect the desired power supply output to terminals marked [INPUT] (Fig. 1).  
**Note:** If using DC voltage, left terminal is NEG. (-) and right terminal is POS. (+) (Fig. 1).
3. Measure output voltage before connecting devices. This helps avoid potential damage.
4. Connect devices to be powered to terminal pairs 1 to 8, marked [1P - 1N thru 8P - 8N]  
All terminals with common suffix P “1P, 2P...” are same polarity.

**Keep power limited wiring separate from non-power limited wiring. Minimum .25” spacing must be provided.**

**Note:** PD8ULCB is a UL Recognized component for use with Altronix UL Listed power supplies (Models: AL300ULX, AL400ULX, AL600ULX, AL1012ULX and AL1024ULX).



Altronix is not responsible for any typographical errors.