



MAXIMTM Series

Access Power Controllers

Installation Guide

Models Include:

- **Maxim11D**
 - Power Supply 1:
12VDC @ 3.5 amp or 24VDC @ 2.7 amp.
 - Power Supply 2:
12VDC @ 3.5 amp or 24VDC @ 2.7 amp.
 - Sixteen (16) PTC protected
Class 2 Rated power-limited outputs.
- **Maxim33D**
 - Power Supply 1:
12VDC @ 5.5 amp or 24VDC @ 5.7 amp.
 - Power Supply 2:
12VDC @ 5.5 amp or 24VDC @ 5.7 amp.
 - Sixteen (16) PTC protected
Class 2 Rated power-limited outputs.
- **Maxim55D**
 - Power Supply 1: 12VDC @ 9.5 amp.
 - Power Supply 2: 12VDC @ 9.5 amp.
 - Sixteen (16) PTC protected
Class 2 Rated power-limited outputs.
- **Maxim77D**
 - Power Supply 1: 24VDC @ 9.7 amp.
 - Power Supply 2: 24VDC @ 9.7 amp.
 - Sixteen (16) PTC protected
Class 2 Rated power-limited outputs.
- **Maxim75D**
 - Power Supply 1: 12VDC @ 9.5 amp.
 - Power Supply 2: 24VDC @ 9.7 amp.
 - Sixteen (16) PTC protected
Class 2 Rated power-limited outputs.



Table of Contents:

MaximD Series Overview	3
MaximD Series Configuration Chart	3
MaximD Series Features	3-4
MaximD Installation Instructions	4-5
Maintenance	5-6
Power Supply Board LED Diagnostics	6
Access Power Controller LED Diagnostics	6
Power Supply Board Terminal Identification	6
Access Power Controller Terminal Identification	7
Power Supply Board Stand-by Battery Specifications	7
Power Supply Board Output Voltage Settings	8
Access Power Controller Typical Application Diagram	8
Maxim11D, Maxim33D and Maxim55D Battery Hookup and Tamper Switch Installation	9
Maxim77D Battery Hookup and Tamper Switch Installation	10
Maxim75D Battery Hookup and Tamper Switch Installation	11
NEC Power-Limited Wiring Requirements for Maxim11D	12
NEC Power-Limited Wiring Requirements for Maxim33D and Maxim55D	13
NEC Power-Limited Wiring Requirements for Maxim77D	14
NEC Power-Limited Wiring Requirements for Maxim75D	15
FACP/Optional Power Supply Hook-up Diagrams	16
Enclosure Dimensions	17

MaximD Series Overview:

Maxim Access Power/Controllers distribute and switch power to access control systems and accessories. They convert a 115VAC 60Hz input into sixteen (16) independently controlled 12VDC or 24VDC Class 2 Rated PTC protected power-limited outputs. These Fail-Safe/Fail-Secure power outputs may be converted to dry form “C” contacts. The outputs are activated by an open collector sink or normally open (NO) dry trigger input from an Access Control System, Keypad, Push Button, REX PIR, etc. Units will route power to a variety of access control hardware devices including: Mag Locks, Electric Strikes, Magnetic Door Holders, etc. The FACP Interface enables Emergency Egress, Alarm Monitoring, or may be used to trigger other auxiliary devices. The fire alarm disconnect feature is individually selectable for any or all of the sixteen (16) outputs. All interconnecting equipment must be UL Listed.

MaximD Series Configuration Chart:

Altronix Model Number	Power Supply 1 (8 outputs)	Power Supply 2 (8 outputs)	Total Output Current (16 outputs)	Class 2 Rated PTC Protected Power-Limited Outputs Maximum Current Per ACM8CB Board	115VAC 60Hz Input (current draw)	Power Supply Board Input Fuse Rating	UL Listings and File Numbers
Maxim11D	12VDC @ 3.5 amp	12VDC @ 3.5 amp	7 amp	16	2 amp	4.5 amp	3.5A/250V
	24VDC @ 2.7 amp	24VDC @ 2.7 amp	5.4 amp				
	12VDC @ 3.5 amp	24VDC @ 2.7 amp	6.2 amp				
Maxim33D	12VDC @ 5.5 amp	12VDC @ 5.5 amp	11 amp	16	2 amp	7 amp	3.5A/250V
	24VDC @ 5.7 amp	24VDC @ 5.7 amp	11.4 amp				
	12VDC @ 5.5 amp	24VDC @ 5.7 amp	11.2 amp				
Maxim55D	12VDC @ 9.5 amp	12VDC @ 9.5 amp	19 amp	16	2 amp	6 amp	3.5A/250V
Maxim75D	AL1012ULXB	AL1024ULXB	19.2 amp	16	2 amp	10 amp	3.5A/250V
	12VDC @ 9.5 amp	24VDC @ 9.7 amp					10A/250V
Maxim77D	24VDC @ 9.7 amp	24VDC @ 9.7 amp	19.4 amp	16	2 amp	12.5 amp	10A/250V

MaximD Series Features:

- Sixteen (16) independently trigger controlled outputs.
Output options:
 - a) Sixteen (16) Fail-Safe filtered and electronically regulated power outputs.
 - b) Sixteen (16) Fail-Secure filtered and electronically regulated power outputs.
 - c) Sixteen (16) form “C” relay outputs (rated @ 5 amp/28VDC or VAC).
 - d) Any combination of the above.
- Sixteen (16) Access Control System trigger inputs.
Input trigger options:
 - a) Sixteen (16) normally open (NO) dry trigger inputs.
 - b) Sixteen (16) open collector inputs.
 - c) Any combination of the above.
- Sixteen (16) unswitched filtered and electronically regulated aux. power outputs (outputs are rated @ 2 amp).
- Red LEDs on ACM8CB board indicate individual outputs are triggered (relays energized).
- Fire Alarm disconnect (latching or non-latching) is individually selectable for any or all of the sixteen (16) outputs.
Fire Alarm disconnect input trigger options:
 - a) Normally open (NO) or normally closed (NC) dry trigger input.
 - b) Polarity reversal input from FACP signaling circuit.
- Green LED on ACM8CB board indicates FACP disconnect is triggered.
- FACP output relay indicates that FACP input is triggered (form “C” contact rated @ 1 amp/28VDC not evaluated by UL).

- Power supply input options:
 - a) Factory installed power supplies provide common power for both ACM8CB boards and all connected access control devices.
 - b) An optional UL Listed power-limited external access control power supply may be connected to isolate the ACM8CB boards from the access control devices (*only applicable on Maxim11D*).
 - ACM8CB board main fuses are rated @ 10 amp. Output PTCs are rated @ 2 amp.
 - Built-in charger for sealed lead acid or gel type batteries.
 - Maximum charge current is 0.7 amp for AL400ULXB, AL600ULXB and AL1012ULXB power supply boards.
 - Maximum charge current is 3.6 amp for AL1024ULXB power supply board.
 - Automatic switch over to stand-by battery when AC fails.
 - Zero voltage drop when unit switches over to battery backup (AC failure condition).
 - Short circuit and thermal overload protection with auto reset.
 - Green AC input and red DC output LED indicators on power supply board(s).
 - AC fail supervision (form "C" contact rated @ 1 amp/28VDC).
 - Battery fail and battery presence supervision (form "C" contact rated @ 1 amp/28VDC).
 - Enclosure accommodates up to four (4) 12VDC/12AH batteries.
- Enclosure dimensions: 26"H x 19"W x 6.25"D

MaximD Installation Instructions:

Wiring methods shall be in accordance with the National Electrical Code/NFPA 70/ANSI, and with all local codes and authorities having jurisdiction. Product is intended for indoor use only.

<i>Power Supply Board LED Diagnostics</i>	<i>(pg. 6)</i>
<i>Access Power Controller LED Diagnostics</i>	<i>(pg. 6)</i>
<i>Power Supply Board Terminal Identification</i>	<i>(pg. 6)</i>
<i>Access Power Controller Terminal Identification</i>	<i>(pg. 7)</i>
<i>Power Supply Board Stand-by Battery Specifications</i>	<i>(pg. 7)</i>
<i>Power Supply Board Output Voltage Settings</i>	<i>(pg. 8)</i>
<i>Access Power Controller Typical Application Diagram</i>	<i>(pg. 8)</i>
<i>FACP/Optional Power Supply Hook-up Diagrams</i>	<i>(pg. 16)</i>

1. Mount unit in desired location. Mark and predrill holes in the wall to line up with the top three keyholes in the enclosure. Install three upper fasteners and screws in the wall with the screw heads protruding. Place the enclosure's upper keyholes over the three upper screws, level and secure. Mark the position of the lower three holes. Remove the enclosure. Drill the lower holes and install the three fasteners. Place the enclosure's upper keyholes over the three upper screws. Install the three lower screws and make sure to tighten all screws (*Enclosure Dimensions, pg.17*).
2. The power supply is pre-wired to the ground (chassis). Connect main incoming ground to the provided green grounding conductor lead. Connect unswitched AC power (115VAC 60Hz) to terminals marked [L, N] on both power supply boards. Use 14 AWG or larger for all power connections.
Keep power-limited wiring separate from non power-limited wiring. Minimum .25" spacing must be provided (Figs. 6-9, pgs. 12-15).
3. Select desired DC output voltage by setting SW1 to the appropriate position on the power supply board (Maxim11D and Maxim33D), (*Fig. 1, pg. 8*). Maxim55D power supply is factory set at 12VDC. Maxim77D power supply is factory set at 24VDC. Maxim75D consists of one (1) power supply board that is factory set at 12VDC, and one (1) power supply board that is factory set at 24VDC.
4. Measure the output voltage of the unit before connecting any devices to ensure proper operation. Improper or high voltage will damage these devices.
5. **Output options** (*Fig. 2, pg. 8*):
 The unit will provide either sixteen (16) switched power outputs, sixteen (16) dry form "C" outputs, or any combination of both switched power and form "C" outputs.
 - (a) **Fail-Safe Switched Power outputs:**
 For Fail-Safe operation connect the positive (+) input of the access control devices to terminal marked [NC]. Connect the negative (-) input of the access control devices to terminal marked [COM].
 - (b) **Fail-Secure Switched Power outputs:**
 For Fail-Secure operation connect the positive (+) input of the access control devices to terminal marked [NO]. Connect the negative (-) input of the access control devices to terminal marked [COM].
 - (c) **Form "C" outputs:**
 When form "C" outputs are desired the corresponding output PTCs (1-8) of each ACM8CB board must be removed.

6. **Auxiliary Power outputs (unswitched):**
Connect access control devices that require constant power to terminals marked [C] positive (+) and [COM] negative (-).
7. **Input trigger options (Fig. 2, pg. 8):**
 - (a) **Normally Open [NO] input trigger:**
Inputs 1-8 are activated by normally open or open collector sink inputs.
Connect access control panel outputs, keypads, push buttons, REX PIRs, etc. to terminals marked [IN] and [GND].
 - (b) **Open Collector Sink inputs:**
Connect the access control panel open collector sink positive (+) to terminals marked [IN] and the negative (-) to terminals marked [GND].
8. **Fire Alarm Interface options (Figs. 10-15, pg. 16):**
A normally closed [NC] or normally open [NO] input trigger from a fire alarm control panel or a polarity reversal input from an FACP signaling circuit will affect selected outputs. To enable FACP Disconnect for an output open the corresponding switch(es) [SW1-SW8] on each ACM8CB board. To disable FACP disconnect for an output close the corresponding switch(es) [SW1-SW8] on each ACM8CB board.
 - (a) **Normally Open [NO] input:**
For non-latching hook-up refer to (Fig. 12, pg. 16). For latching hook-up refer to (Fig. 13, pg. 16).
 - (b) **Normally Closed [NC] input:**
For non-latching hook-up refer to (Fig. 14, pg. 16). For latching hook-up refer to (Fig. 15, pg. 16).
 - (c) **FACP Signaling Circuit input trigger:**
Connect the positive (+) and negative (-) from the FACP signaling circuit output to the terminals marked [+ INP -]. Connect the FACP EOL to the terminals marked [+ RET -] (polarity is referenced in an alarm condition). Jumper J3 must be cut (Fig. 11, pg. 16).
9. **FACP Dry form “C” output (Fig. 2A, pg. 8):**
FACP form “C” contacts can be used to trigger reporting or signaling devices. These contact switch upon a fire alarm input trigger to the ACM8CB boards.
10. **Stand-by Battery Connections (Figs. 3-5, pgs. 9-11):**
For Access Control applications batteries are optional. If batteries are not used a loss of AC will result in the loss of output voltage. Batteries must be lead acid or gel type. Connect one (1) 12VDC battery to the terminals marked [+ BAT -] for 12VDC operation (Figs. 3, 5, pgs. 9, 11). Use two (2) 12VDC batteries wired in series for 24VDC operation (Figs. 3-5, pgs. 9-11).
11. **Battery and AC Supervision outputs (Figs. 3-5, pgs. 9-11):**
It is required to connect supervisory trouble reporting devices to outputs marked [AC Fail, BAT FAIL] supervisory relay outputs marked [NC, C, NO] to appropriate visual notification devices. Use 22 AWG to 18 AWG for AC Fail & Low/No Battery reporting.
12. **Installation of tamper switch (Not Included) (Figs. 3A, 4A, 5A, pgs. 9-11):**
Mount UL Listed tamper switch (Sentrol model 3012 or equivalent) at the top of the enclosure. Slide the tamper switch bracket onto the edge of the enclosure approximately 2” from the right side. Connect tamper switch wiring to the Access Control Panel input or the appropriate UL Listed reporting device. To activate alarm signal open the door of the enclosure.
13. **Multiple power supply inputs (Fig. 2, pg. 8):**
When using an additional UL Listed external power supply, jumpers J1 and J2 located on corresponding ACM8CB boards must be cut (Fig. 2B, pg. 8 & Fig. 10, pg. 16). Connect external UL Listed power-limited access control power supply to the terminals marked [- Power +] (only applicable on Maxim11D). When using DC power supplies polarity must be observed. When using AC power supplies polarity need not be observed. All field wiring connections must be made employing suitable gauge CM or FPL jacketed wire (or equivalent substitute), (Fig. 6A-9A, pgs. 12-15).

Maintenance:

Unit should be tested at least once a year for the proper operation as follows:

FACP Supervision: To insure proper connection and operation of the Fire Alarm disconnect hookup. Please follow the appropriate procedure below:

Normally Open Input: Placing a short between terminals marked [T] and [+ INP] will trigger the Fire Alarm Disconnect. Remove the short to reset.

Normally Closed Input: Remove the wire from terminal marked [INP -] will trigger the Fire Alarm Disconnect. Replace the wire to terminal marked [INP -] to reset.

FACP Signal Circuit Input: It is necessary to trigger the Fire Alarm System.

In all of the above scenarios the green TRG LED of the ACM8CBs will illuminate. All outputs selected for Fire

Alarm Disconnect will activate releasing locking devices.

Note: All outputs [OUT 1 - OUT 8] must be in a normal (de-energized) condition prior to testing. When the unit is configured for Normally Open (*Fig. 13, pg. 16*) or Normally Closed (*Fig. 15, pg. 16*) latching operation it is necessary to reset the Fire Alarm Disconnect by activating the Normally Closed reset switch.

Output Voltage Test: Under normal load conditions, the DC output voltage should be checked for proper voltage level (*Power Supply Board Stand-by Battery Specifications, pg. 7*).

Battery Test: Under normal load conditions check that the battery is fully charged, check specified voltage at the battery terminals and at the board terminals marked [+ BAT -] to insure that there is no break in the battery connection wires.

Note: AL400ULXB, AL600ULXB and AL1012ULXB Power Supply Board maximum charge current is .7 amp.
AL1024ULXB Power Supply Board maximum charge current is 3.6 amp.

Expected battery life is 5 years, however it is recommended to change batteries within 4 years or less if necessary.

Power Supply Board LED Diagnostics:

LED		Power Supply Status
Red (DC)	Green (AC)	
ON	ON	Normal operating condition.
ON	OFF	Loss of AC, Stand-by battery supplying power.
OFF	ON	No DC output. Short circuit or thermal overload condition.
OFF	OFF	No DC output. Loss of AC. Discharged battery.

Access Power Controller LED Diagnostics:

LED	ON	OFF
LED 1- LED 8 (Red)	Output relay(s) energized.	Output relay(s) de-energized.
Trg (Green)	FACP input triggered (alarm condition).	FACP normal (non-alarm condition).

Power Supply Board Terminal Identification:

Terminal Legend	Function/Description
L, G, N	Connect 115VAC 60Hz to these terminals: L to hot, N to neutral, G to ground.
+ DC -	Maxim11D - 12VDC @ 3.5 amp or 24VDC @ 2.7 amp to ACM8CB boards (power-limited). Maxim33D - 12VDC @ 5.5 amp or 24VDC @ 5.7 amp to ACM8CB boards (power-limited). Maxim55D - 12VDC @ 9.5 amp to ACM8CB boards (power-limited). Maxim77D - 24VDC @ 9.7 amp to ACM8CB boards (power-limited). Maxim75D - one (1) power supply which is 12VDC @ 9.5 amp to ACM8CB board (power-limited) and one (1) power supply which is 24VDC @ 9.7 amp to ACM8CB board (power-limited).
AC FAIL NC, C, NO	Indicates loss of AC power. To meet with UL requirements it is mandatory to connect visual notification devices, connecting audible notification devices is optional. Relay normally energized when AC power is present. Contact rating 1 amp @ 28VDC. AC or brownout fail is reported within 1 minute of event.
BAT FAIL NC, C, NO	Indicates low battery condition, e.g. connect to access control panel. Relay normally energized when DC power is present. Contact rating 1 amp @ 28VDC. A removed battery is reported within 5 minutes. Battery reconnection is reported within 1 minute. Low battery threshold: 12VDC output threshold set @ approximately 10.5VDC. 24VDC output threshold set @ approximately 21VDC.
+ BAT -	Stand-by battery connections. Connect one (1) 12VDC battery to the terminals marked [+ BAT -] for 12VDC operation (<i>Fig. 3, pg. 9, Fig. 5, pg. 11</i>). Use two (2) 12VDC batteries wired in series for 24VDC operation (<i>Figs. 3-5, pgs. 9-11</i>).

Access Power Controller Terminal Identification:

Terminal Legend	Function/Description
- Control +	12VDC or 24VDC input from power supply board.
- Power + <i>(only applicable for Maxim11D)</i>	These terminals can be connected to an external UL Listed power-limited access control power supply to provide isolated operating power for the ACM8CB (jumpers J1 and J2 Must be removed).All field wiring connections must be made employing suitable gauge CM or FPL jacketed wire (or equivalent substitute), (<i>Figs. 6A-9A, pgs. 12-15</i>).
TRIGGER INPUT 1- INPUT 8 IN, GND	From normally open and/or open collector sink trigger inputs (request to exit buttons, exit pir's, etc.).
OUTPUT 1-OUTPUT 8 NC, C, NO, COM	12VDC to 24VDC trigger controlled outputs: Fail-Safe [NC positive (+) & COM Negative (-)], Fail-Secure [NO positive (+) & COM Negative (-)], Auxiliary output [C positive (+) & COM Negative (-)] (When using AC power supplies polarity need not be observed), NC, C, NO convert to dry form "C" 5 amp 24VAC/VDC rated dry outputs when fuses are removed. Contacts shown in a non-triggered state.
FACP INTERFACE T, + INPUT -	Fire Alarm Interface trigger input from FACP. Trigger inputs can be normally open, normally closed from an FACP signaling circuit output (<i>Figs. 10-15, pg. 16</i>).
FACP INTERFACE NC, C, NO	Form "C" relay contact rated @ 1 amp 28VDC for alarm reporting (not evaluated by UL).

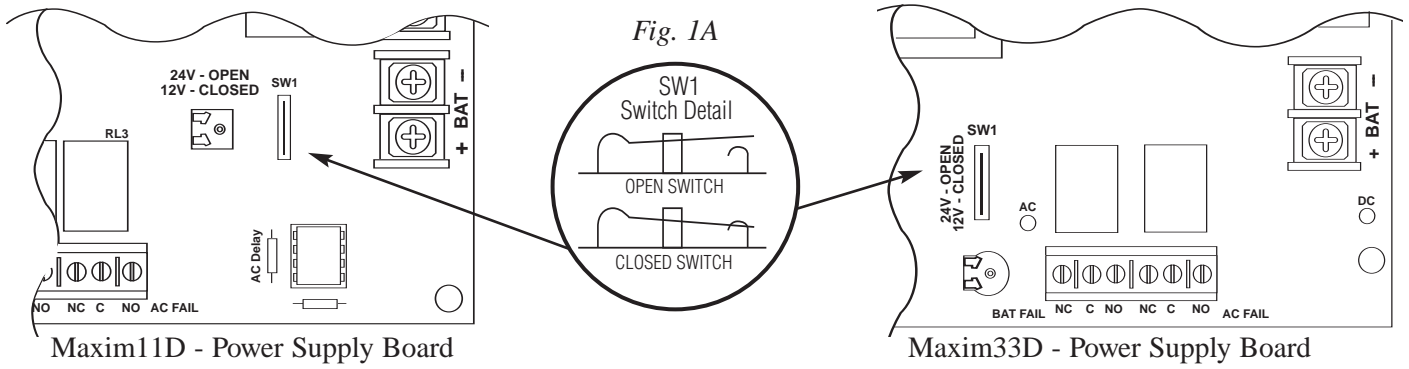
Power Supply Board Stand-by Battery Specifications:

Altronix Model	Power Supply Board	Battery	20 Min. of Backup	4 Hr. of Backup	24 Hr. of Backup
Maxim11D	AL400ULXB <i>(Refer to Fig. 1A, pg. 8 for Switch [SW1] location and position)</i>	12VDC/40AH*	N/A	3.5 amp	0.5 amp
		24VDC/40AH*	N/A	2.7 amp	0.7 amp
Maxim33D	AL600ULXB <i>(Refer to Fig. 1A, pg. 8 for Switch [SW1] location and position)</i>	12VDC/40AH*	N/A	5.5 amp	5.5 amp
		24VDC/40AH*	N/A	5.5 amp	0.7 amp
Maxim55D Maxim75D	AL1012ULXB <i>(Factory set at 12VDC)</i>	12VDC/12AH	9.0 amp	Battery capacity for emergency standby at least 20 min	N/A
Maxim75D	AL1024ULXB <i>(Factory set at 24VDC)</i>	24VDC/12AH	7.7 amp	1.2 amp	N/A
Maxim77D	AL1024ULXB <i>(Factory set at 24VDC)</i>	24VDC/65AH*	N/A	7.7 amp	1.2 amp

* **Note:** Additional battery enclosure required (*Figs. 6-9, pg, 12-15*)

Power Supply Board Output Voltage Settings:

Fig. 1



Access Power Controller Typical Application Diagram (for each ACM8CB):

Fig. 2

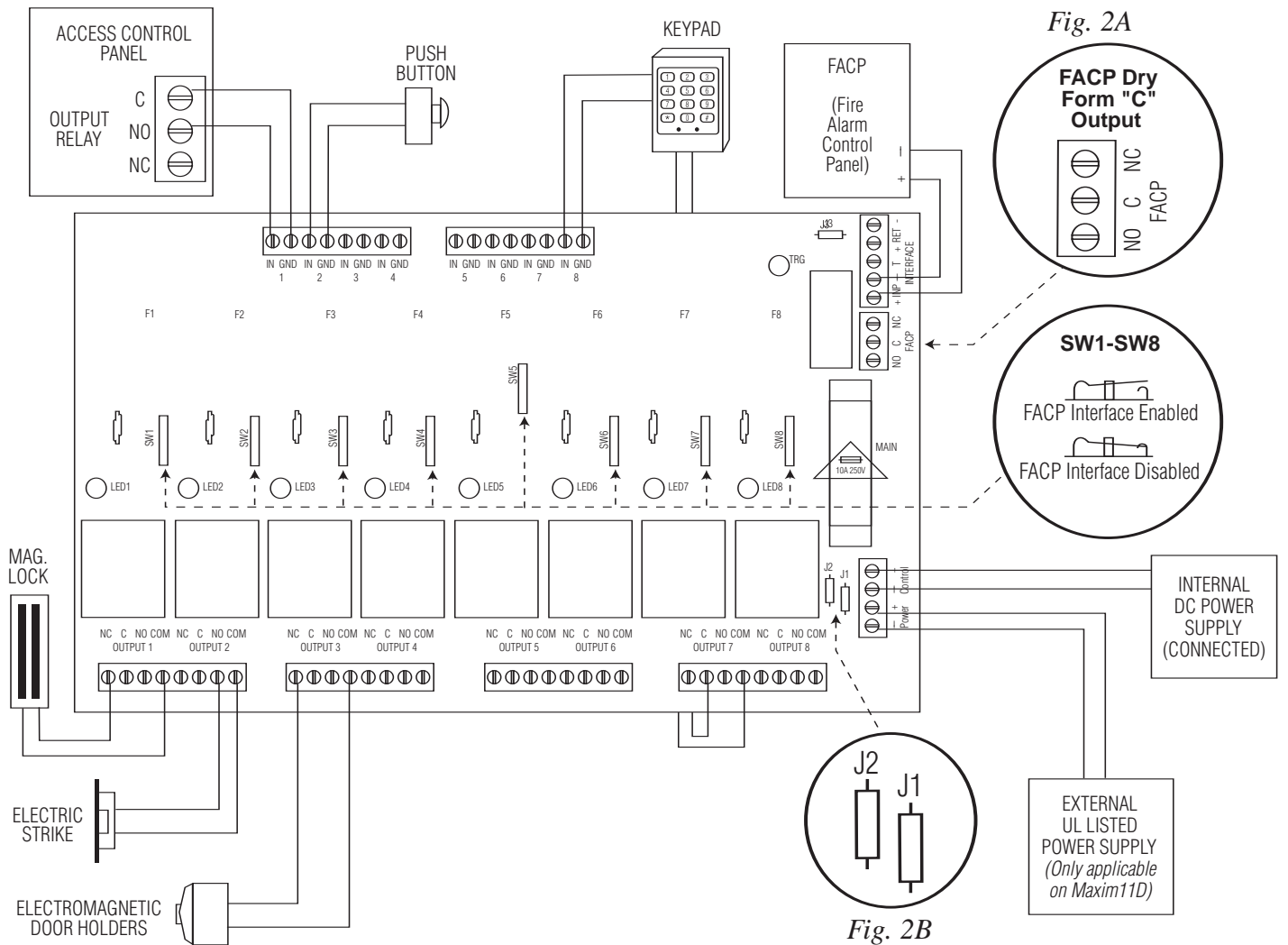


Fig. 3

Maxim11D
Maxim33D
Maxim55D

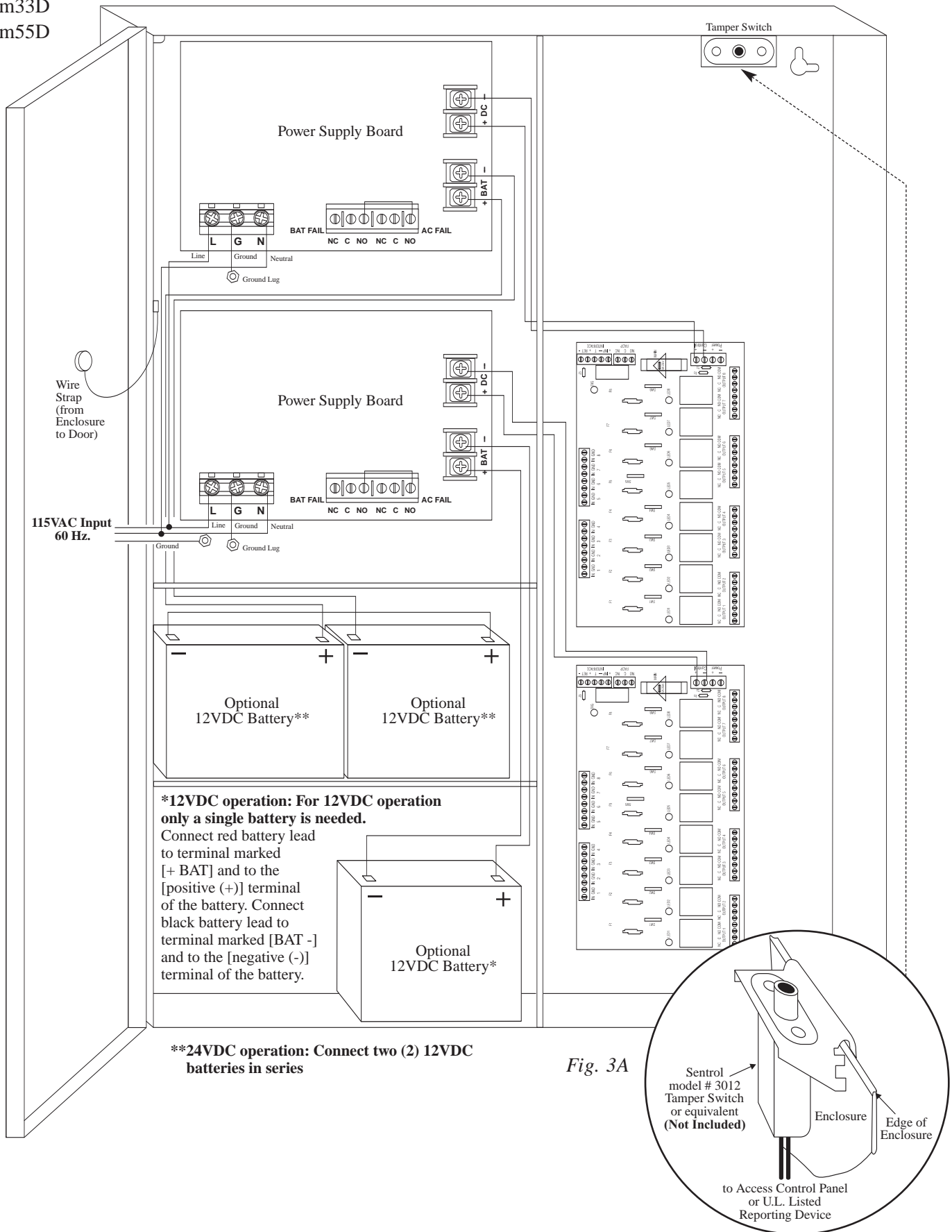


Fig. 3A

Fig. 4
Maxim77D

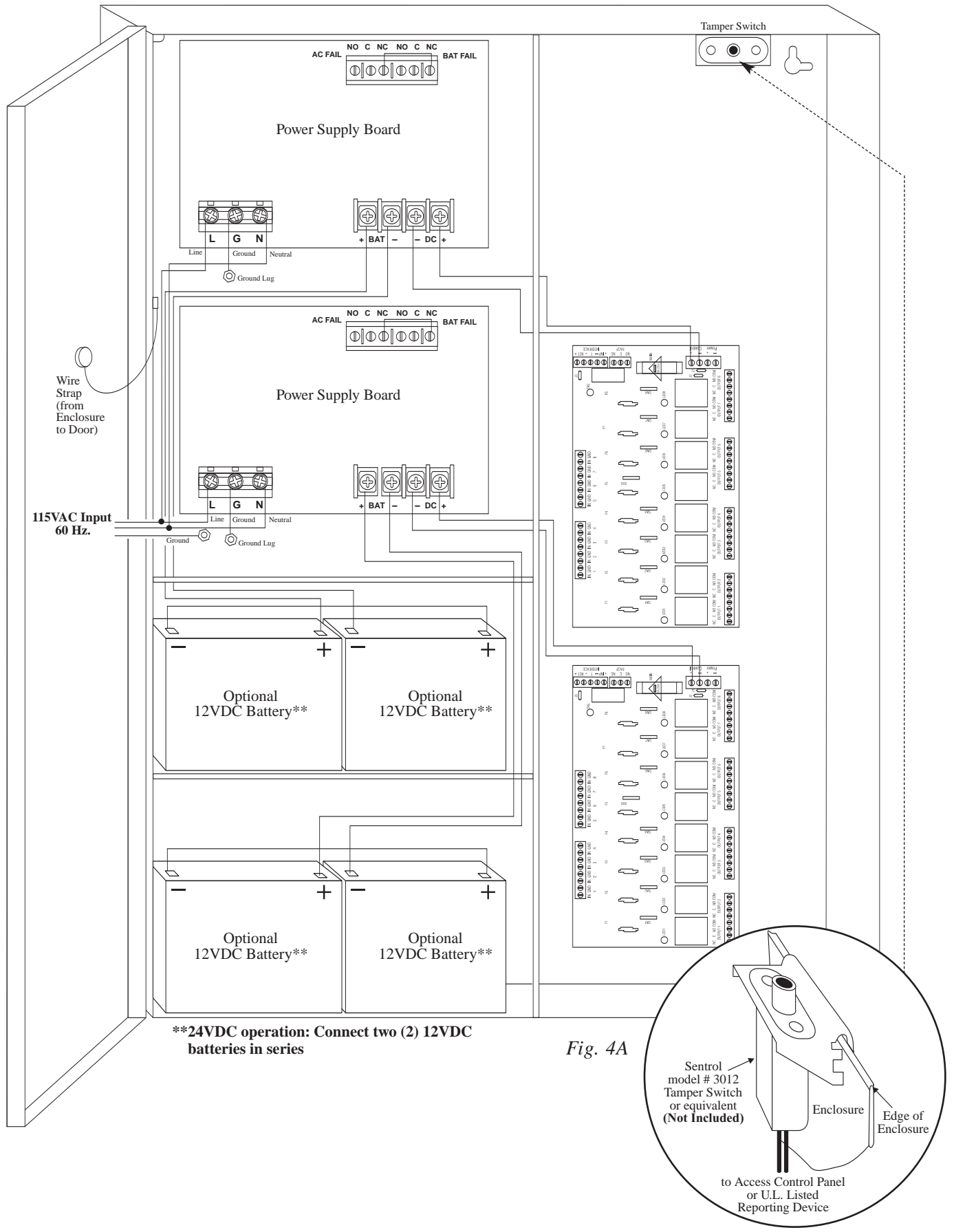
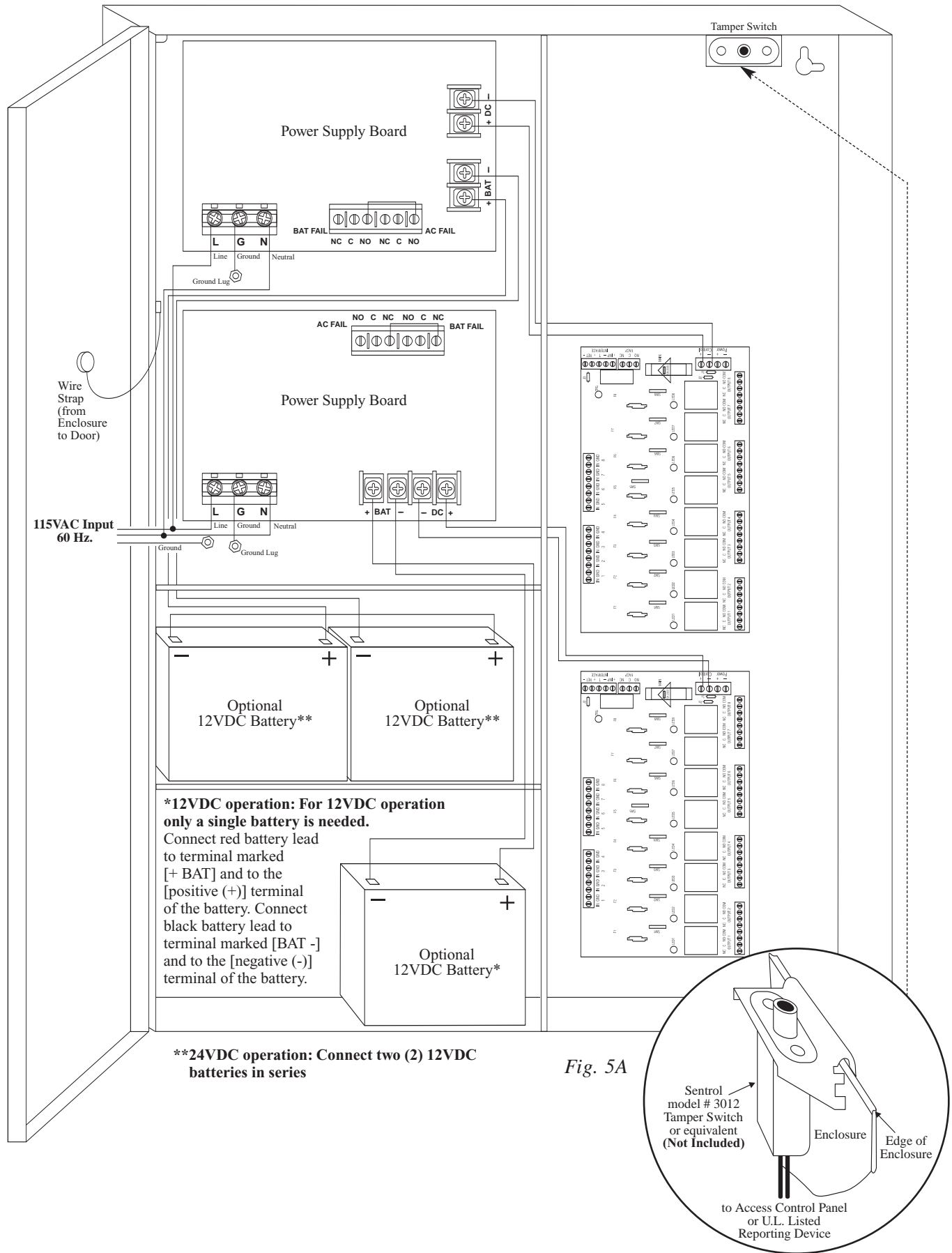


Fig. 5
Maxim75D



***12VDC operation: For 12VDC operation only a single battery is needed.**
 Connect red battery lead to terminal marked [+ BAT] and to the [positive (+)] terminal of the battery. Connect black battery lead to terminal marked [BAT -] and to the [negative (-)] terminal of the battery.

****24VDC operation: Connect two (2) 12VDC batteries in series**

Fig. 5A

NEC Power-Limited Wiring Requirements for Maxim11D:

Power-limited and non power-limited circuit wiring must remain separated in the cabinet. All power-limited circuit wiring must remain at least 0.25” away from any non power-limited circuit wiring. Furthermore, all power-limited circuit wiring and non power-limited circuit wiring must enter and exit the cabinet through different conduits. One such example of this is shown below. Your specific application may require different conduit knockouts to be used. Any conduit knockouts may be used. For power-limited applications, use of conduit is optional.

All field wiring connections must be made employing suitable gauge CM or FPL jacketed wire (or equivalent substitute). Note: Refer to wire handling drawing below for the proper way to install the CM or FPL jacketed wire, (Fig. 6A).

Fig. 6

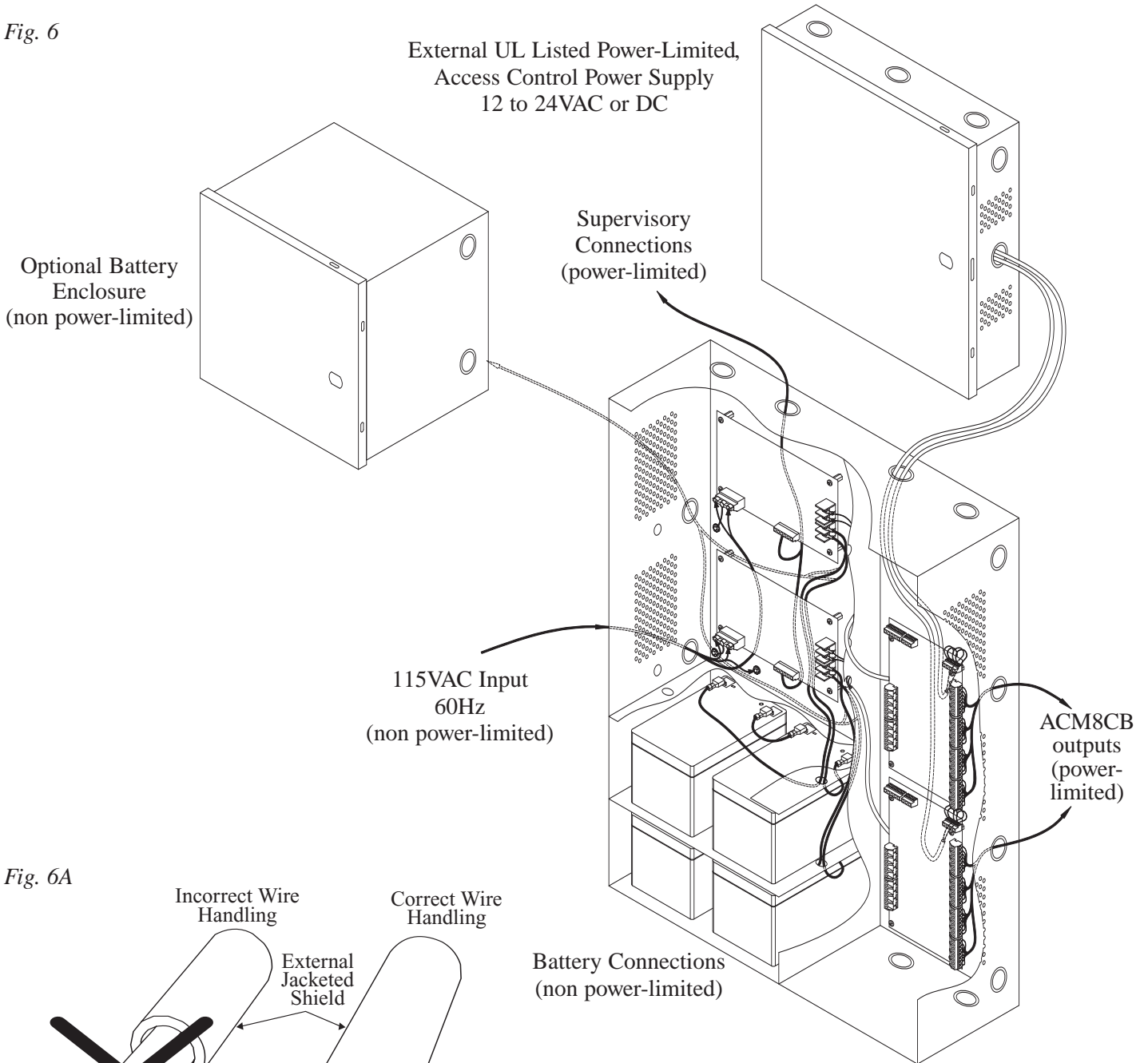
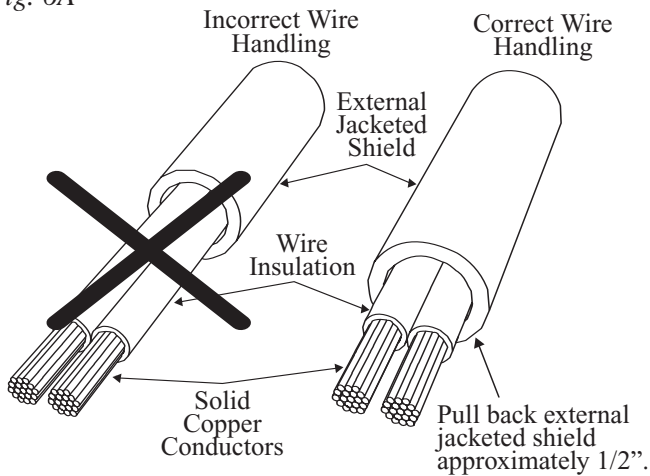


Fig. 6A



NEC Power-Limited Wiring Requirements for Maxim33D and Maxim55D:

Power-limited and non power-limited circuit wiring must remain separated in the cabinet. All power-limited circuit wiring must remain at least 0.25” away from any non power-limited circuit wiring. Furthermore, all power-limited circuit wiring and non power-limited circuit wiring must enter and exit the cabinet through different conduits. One such example of this is shown below. Your specific application may require different conduit knockouts to be used. Any conduit knockouts may be used. For power-limited applications, use of conduit is optional.

All field wiring connections must be made employing suitable gauge CM or FPL jacketed wire (or equivalent substitute). Note: Refer to wire handling drawing below for the proper way to install the CM or FPL jacketed wire, (Fig. 7A).

Fig. 7

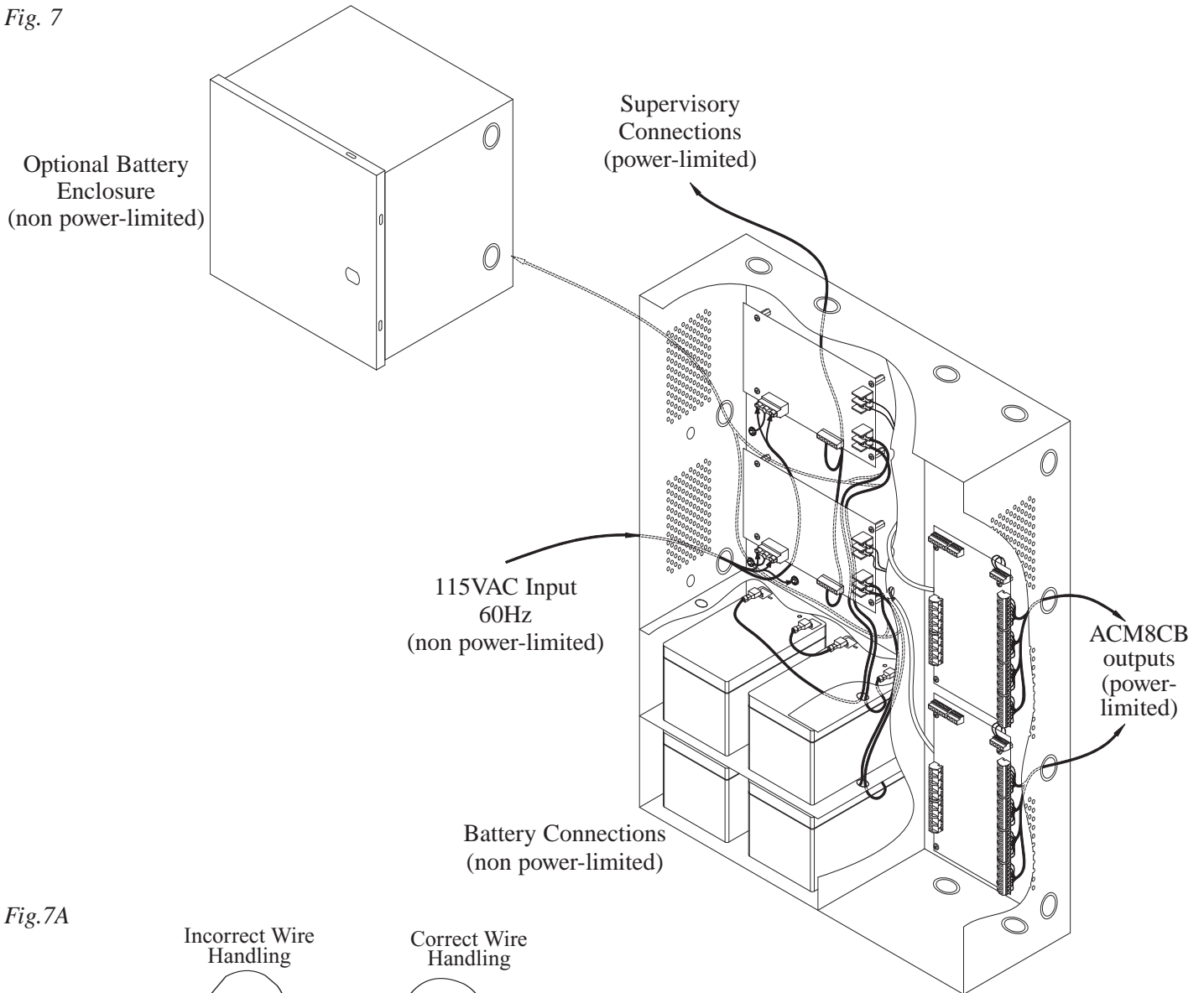
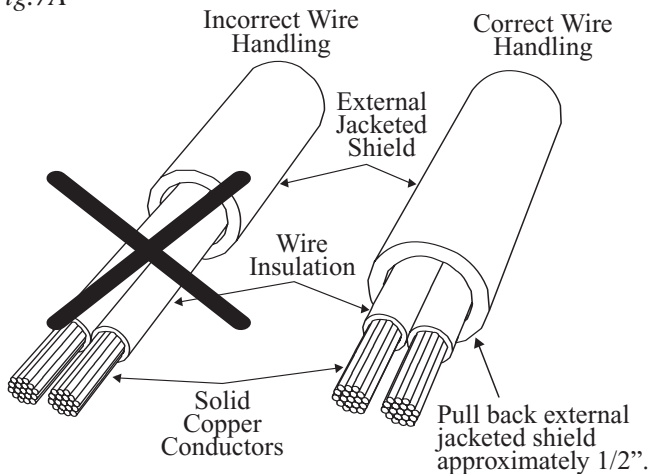


Fig.7A



NEC Power-Limited Wiring Requirements for Maxim77D:

Power-limited and non power-limited circuit wiring must remain separated in the cabinet. All power-limited circuit wiring must remain at least 0.25” away from any non power-limited circuit wiring. Furthermore, all power-limited circuit wiring and non power-limited circuit wiring must enter and exit the cabinet through different conduits. One such example of this is shown below. Your specific application may require different conduit knockouts to be used. Any conduit knockouts may be used. For power-limited applications, use of conduit is optional.

All field wiring connections must be made employing suitable gauge CM or FPL jacketed wire (or equivalent substitute). Note: Refer to wire handling drawing below for the proper way to install the CM or FPL jacketed wire, (Fig. 8A).

Fig. 8

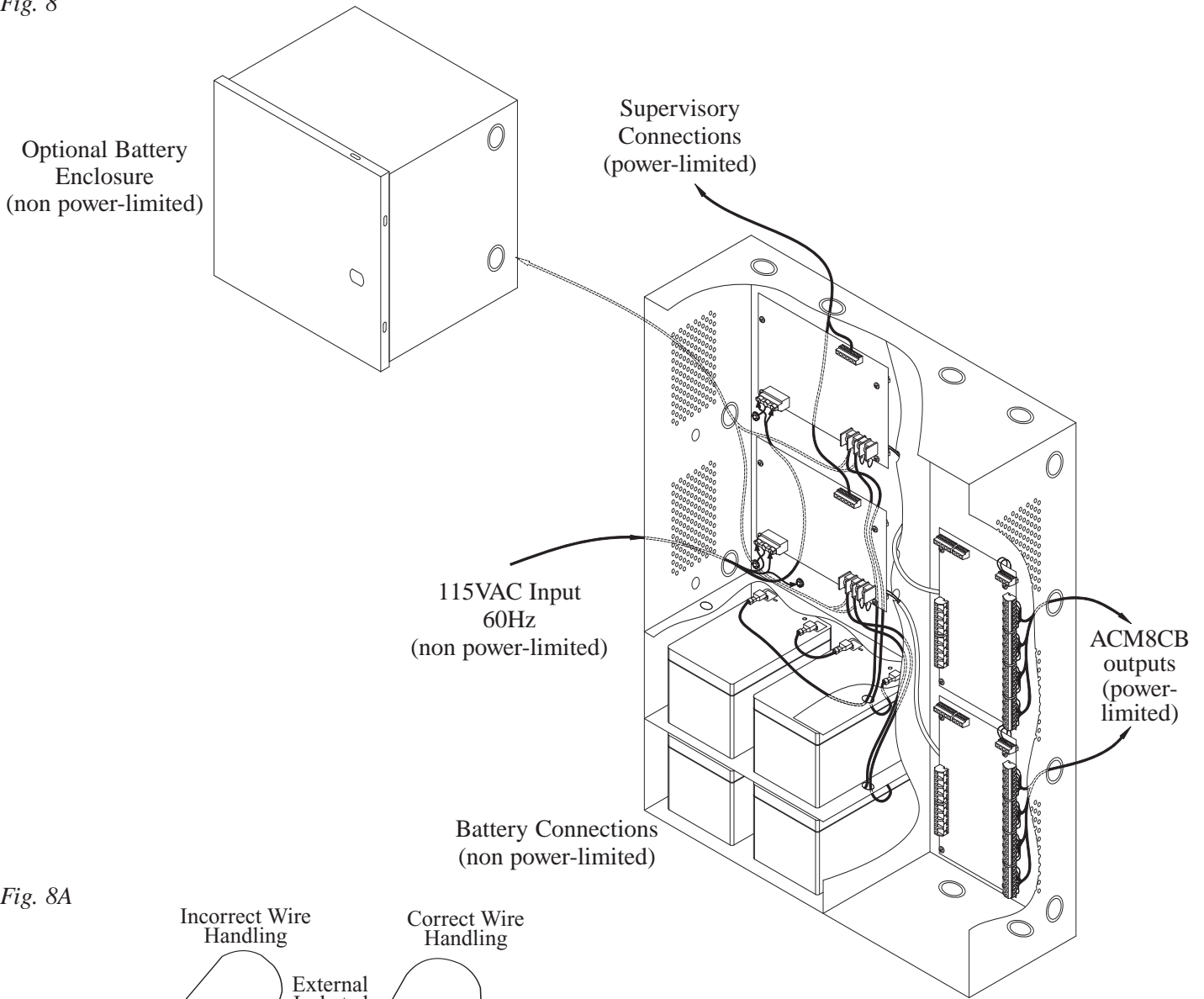
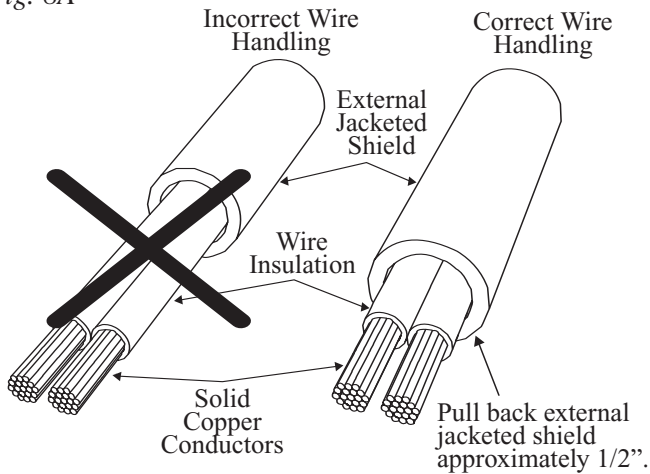


Fig. 8A



NEC Power-Limited Wiring Requirements for Maxim75D:

Power-limited and non power-limited circuit wiring must remain separated in the cabinet. All power-limited circuit wiring must remain at least 0.25” away from any non power-limited circuit wiring. Furthermore, all power-limited circuit wiring and non power-limited circuit wiring must enter and exit the cabinet through different conduits. One such example of this is shown below. Your specific application may require different conduit knockouts to be used. Any conduit knockouts may be used. For power-limited applications, use of conduit is optional.

All field wiring connections must be made employing suitable gauge CM or FPL jacketed wire (or equivalent substitute). Note: Refer to wire handling drawing below for the proper way to install the CM or FPL jacketed wire, (Fig. 9A).

Fig. 9

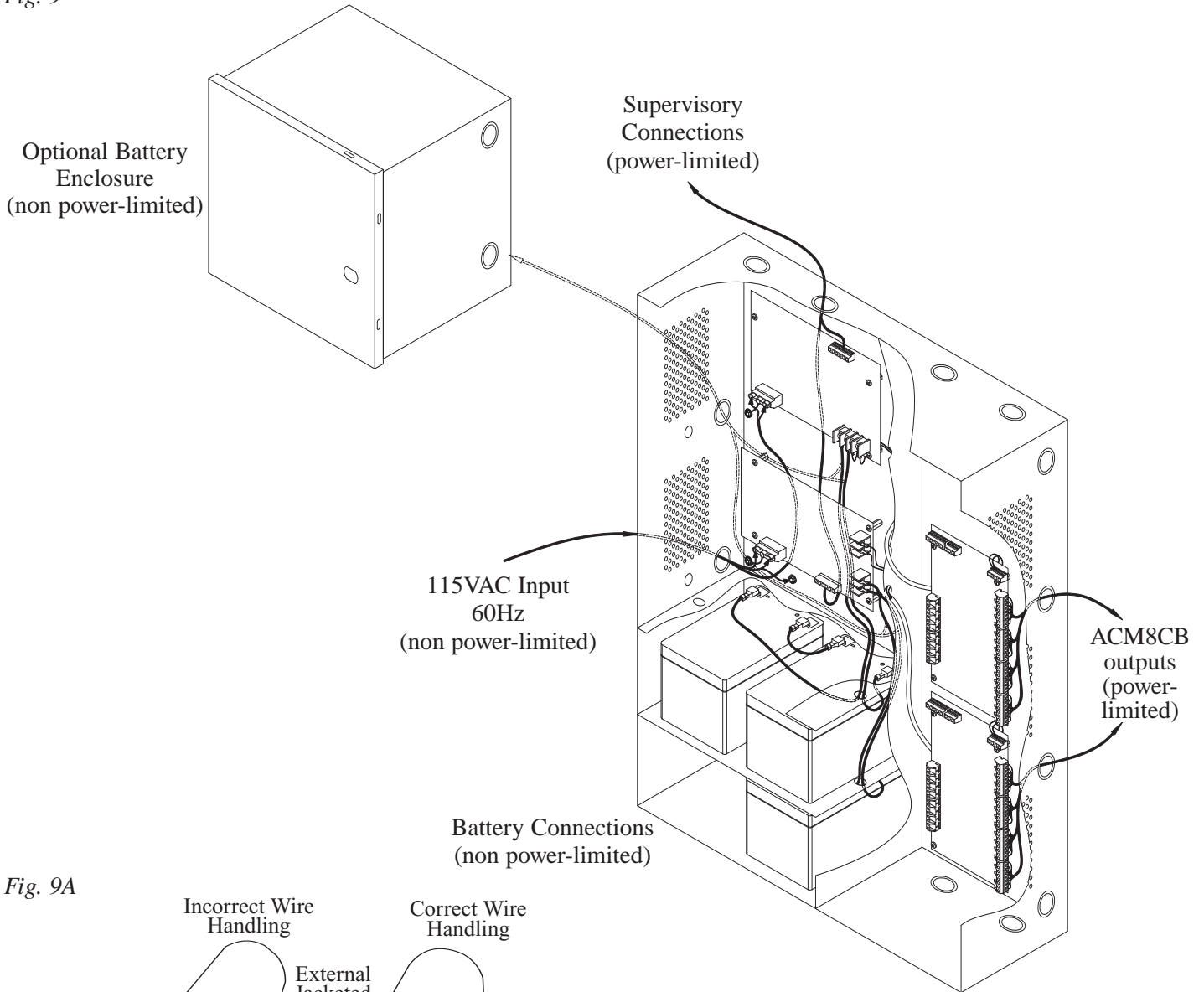
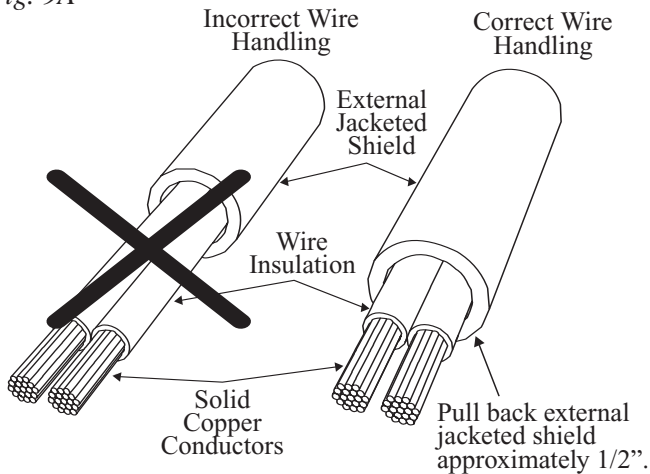


Fig. 9A



FACP/Optional Power Supply Hook-up Diagrams:

Fig. 10 Optional hook-up using two (2) isolated power supply inputs (Only applicable on Maxim11D):

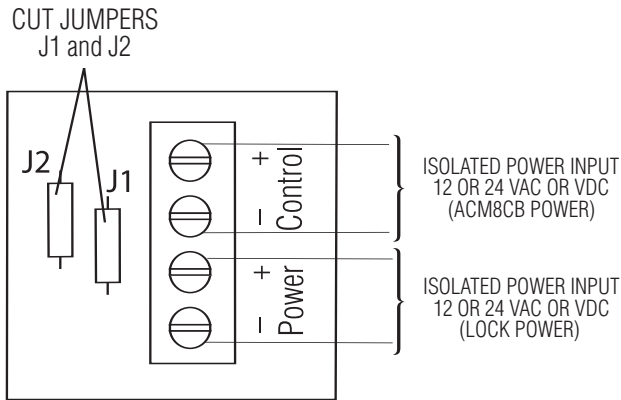


Fig. 11 Polarity reversal input from FACP signaling circuit output (polarity is referenced in alarm condition):

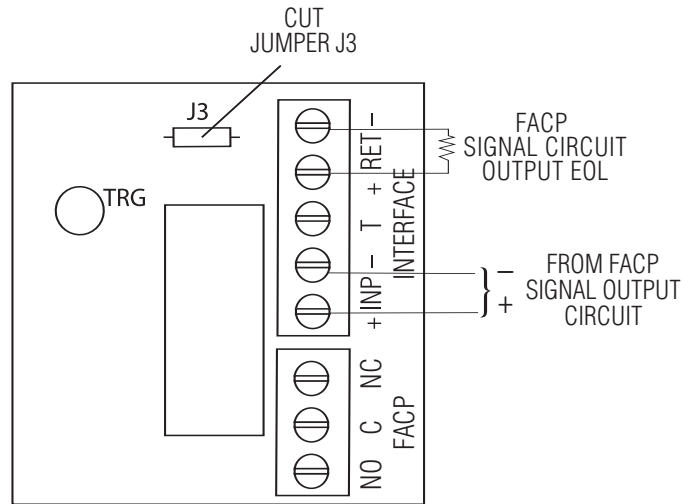


Fig. 12 Normally Open - Non-Latching FACP trigger input:

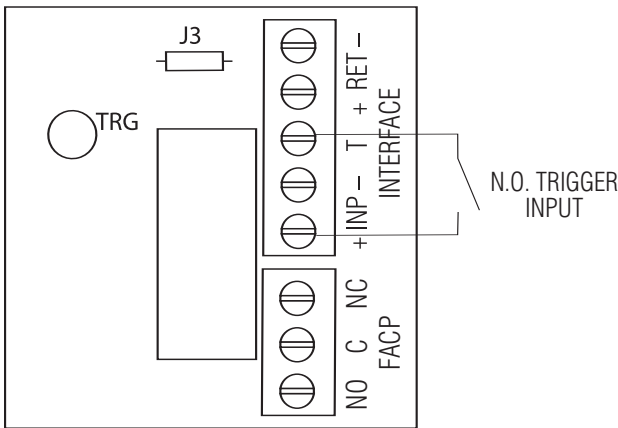


Fig. 13 Normally Open FACP Latching trigger input with reset:
(This output has not been evaluated by UL)

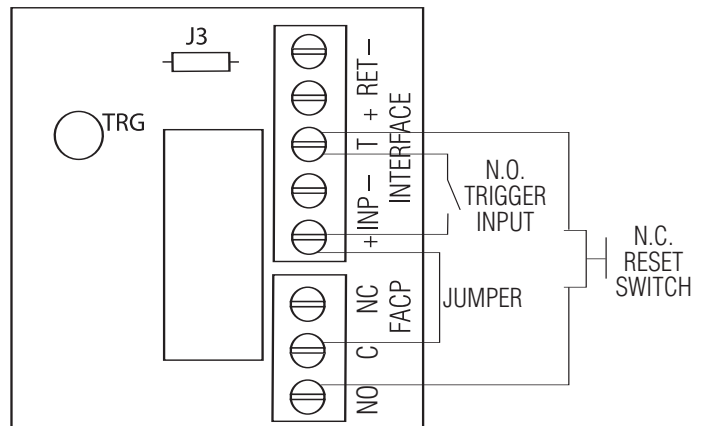


Fig. 14 Normally Closed - Non-Latching FACP trigger input:

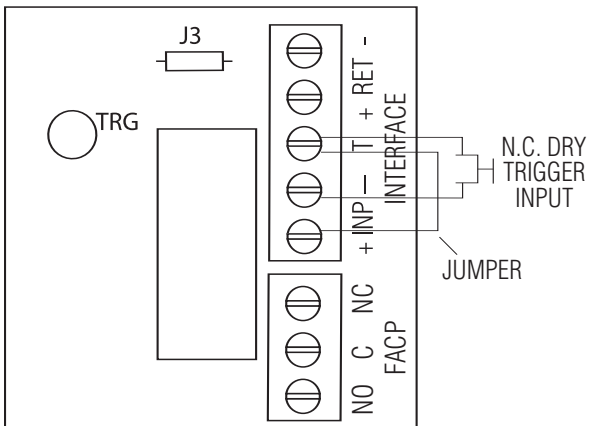
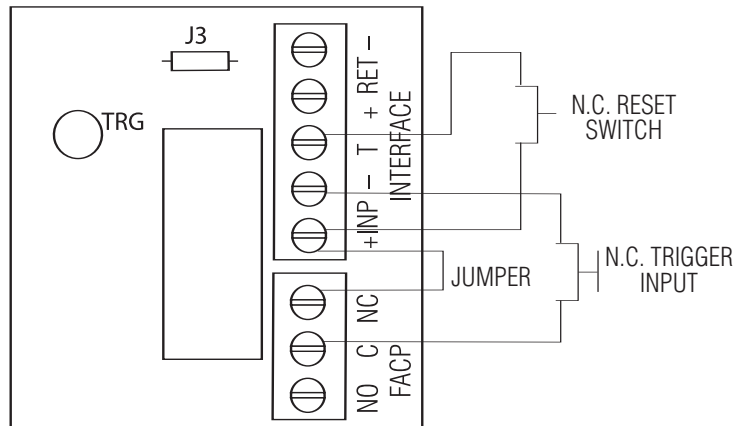
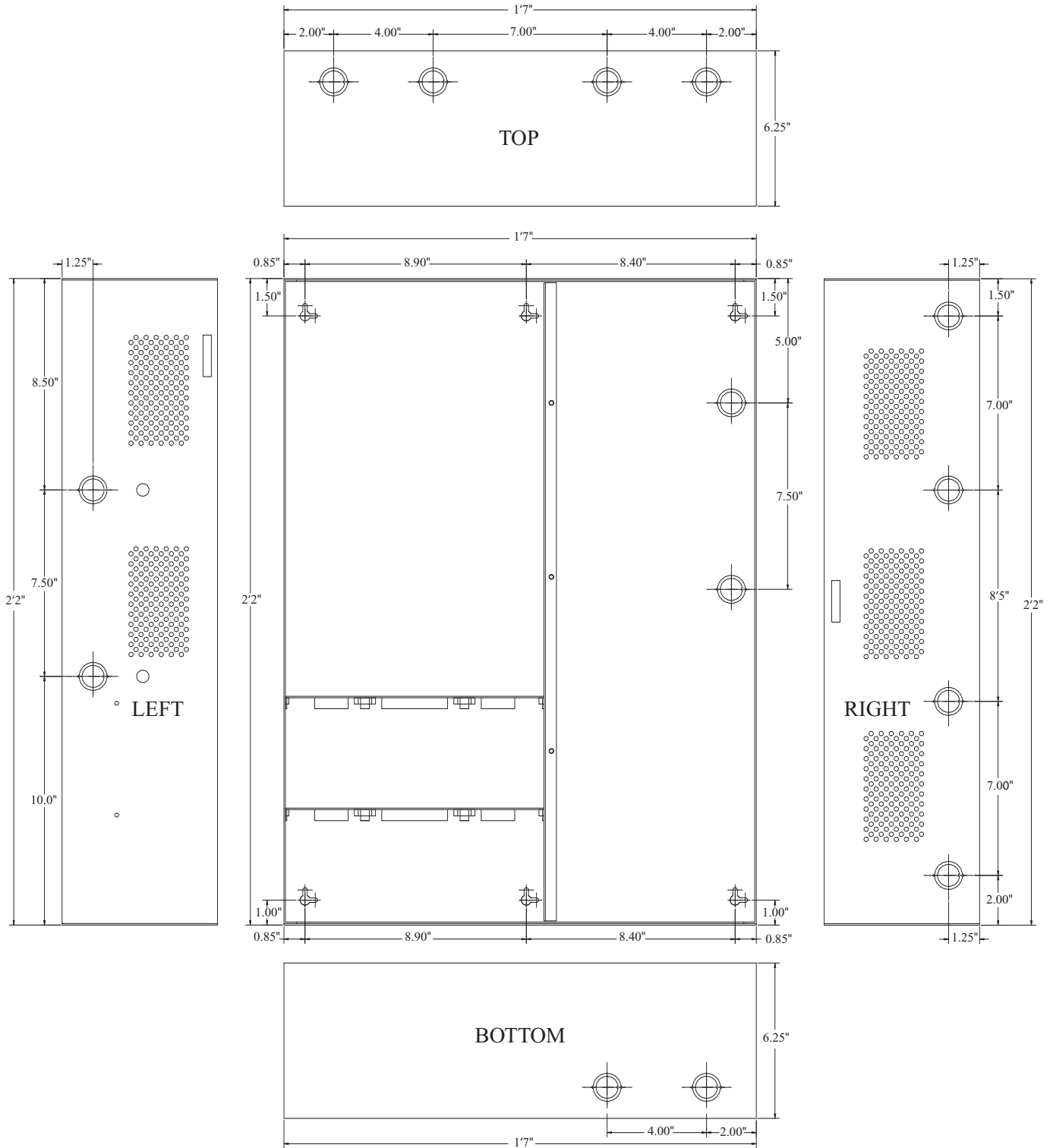


Fig. 15 Normally Closed - Latching FACP trigger input with reset:
(This output has not been evaluated by UL)



Enclosure Dimensions:
 26"H x 19"W x 6.25"D



Notes:

Notes:

Notes:

Altronix is not responsible for any typographical errors.

Altronix Corp.
140 58th Street, Brooklyn, New York 11220 USA, 718-567-8181, fax: 718-567-9056
web site: www.altronix.com, e-mail: info@altronix.com, Lifetime Warranty, Made in U.S.A.
II Maxim 11D/33D/55D/75D/77D Series A31H

