



Isolated Series CCTV Power Supplies

Installation Guide

Models Include:

- ***ALTV248HI***
 - ***24VAC @ 14 amp total output.***
 - ***Eight (8) 1.75 amp Fuse Protected Isolated Outputs.***
- ***ALTV248MI***
 - ***24VAC @ 12.5 amp total output.***
 - ***Eight (8) 1.6 amp Fuse Protected Isolated Outputs.***
- ***ALTV2416I***
 - ***24VAC @ 28 amp total output.***
 - ***Sixteen (16) 1.75 amp Fuse Protected Isolated Outputs.***
- ***ALTV248CBHI***
 - ***24VAC @ 14 amp total output.***
 - ***Eight (8) 1.75 amp PTC Protected Isolated Outputs.***
- ***ALTV248CBMI***
 - ***24VAC @ 12.5 amp total output.***
 - ***Eight (8) 1.6 amp PTC Protected Isolated Outputs.***
- ***ALTV2416CBI***
 - ***24VAC @ 28 amp total output.***
 - ***Sixteen (16) 1.75 amp PTC Protected Isolated Outputs.***

Overview:

These Altronix Isolated CCTV Power Supplies provide 24VAC distributed via eight (8) or sixteen (16) fuse or PTC protected isolated outputs for powering CCTV Cameras, heaters and other video accessories.

Isolated Power Supply Reference Chart:

Altronix Model Number	Output Voltage	Total Output Current (Power)	Number of Outputs	PTC Protected Outputs	Fuse Protected Outputs	Output Current (max per output)	115VAC 50/60Hz Input Current
ALTV248HI	24VAC	14 amp	8	-	x	1.75 amp	2.7 amp
ALTV248CBHI	24VAC	14 amp	8	x	-	1.75 amp	2.7 amp
ALTV248MI	24VAC	12.5 amp	8	-	x	1.6 amp	2.7 amp
ALTV248CBMI	24VAC	12.5 amp	8	x	-	1.6 amp	2.7 amp
ALTV2416I	24VAC	28 amp	16	-	x	1.75 amp	5.4 amp
ALTV2416CBI	24VAC	28 amp	16	x	-	1.75 amp	5.4 amp

Specifications:

- Illuminated master Power ON/OFF switch w/built in circuit breaker.
- Unit maintains camera synchronization.
- Ease of installation saves time & eliminates costly labor.
- Spare fuses included (on fuse protected models).

Enclosure Dimensions:

ALTV248MI, ALTV248CBMI: 8.5"H x 7.5"W x 3.5"D
 ALTV248HI and ALTV248CBHI: 12.25"H x 7.75"W x 4.5"D
 ALTV2416I and ALTV2416CBI: 13"H x 13.5"W x 3.25"D

Installation Instructions:

1. Mount unit in desired location.
2. Set power switch to OFF position on all models (*Figs. 1-3, pgs. 3-5*).
3. All units are factory set for 24VAC operation.
4. Connect AC power to the black and white flying leads of the transformer(s) (*Figs. 1-3, pgs. 3-5*).
Use 18 AWG or larger for all power connections.
5. Measure output voltage before connecting devices. This helps avoid potential damage.
Terminals marked [1A - 8A] and [1B - 8B] are of the same polarity (phase).
6. Connect CCTV cameras to output terminals using the following procedure:

Camera 1 to output 1A & 1B.	Camera 5 to output 5A & 5B.
Camera 2 to output 2A & 2B.	Camera 6 to output 6A & 6B.
Camera 3 to output 3A & 3B.	Camera 7 to output 7A & 7B.
Camera 4 to output 4A & 4B.	Camera 8 to output 8A & 8B.
7. Set power switch on all models to the "RESET" (ON) position (*Figs. 1-3, pgs. 3-5*).
8. Upon completion of wiring, secure enclosure door with screws (supplied).

**Caution: Equipment to be installed / serviced by authorized / trained personnel only.
 Shut branch circuit power before installing / servicing equipment.**

WARNING: To reduce the risk of fire or electric shock, do not expose the unit to rain or moisture. This installation should be made by qualified service personnel and should conform to all local codes and in accordance with the National Electrical Code.

Terminal Identification:

PD8I - Power Distribution Module

1A - 8A	Phase 1.
1B - 8B	Phase 2.

Fig. 1 - ALTV248HI • ALTV248CBHI

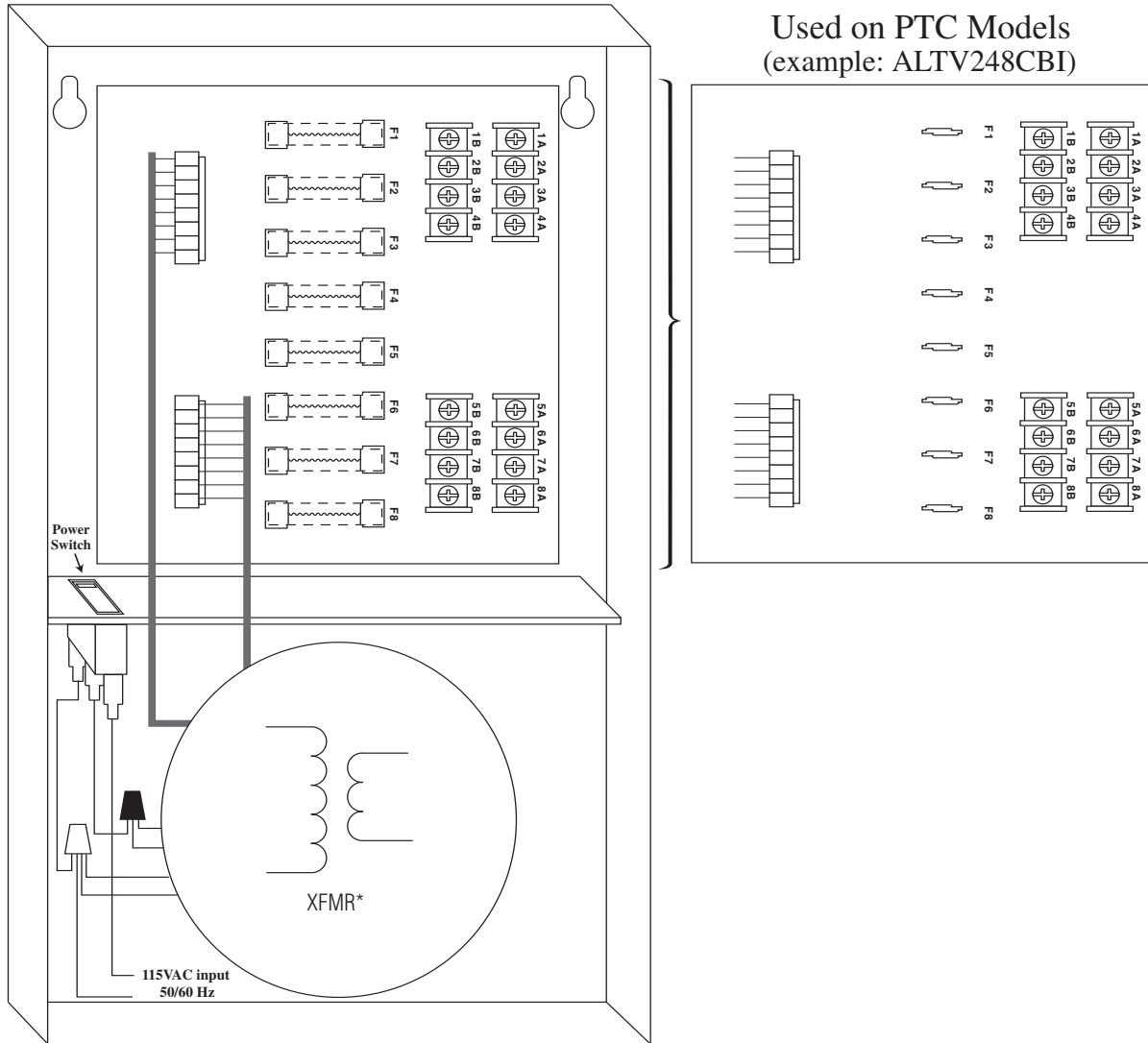


Fig. 2 - ALTV248MI • ALTV248CBMI

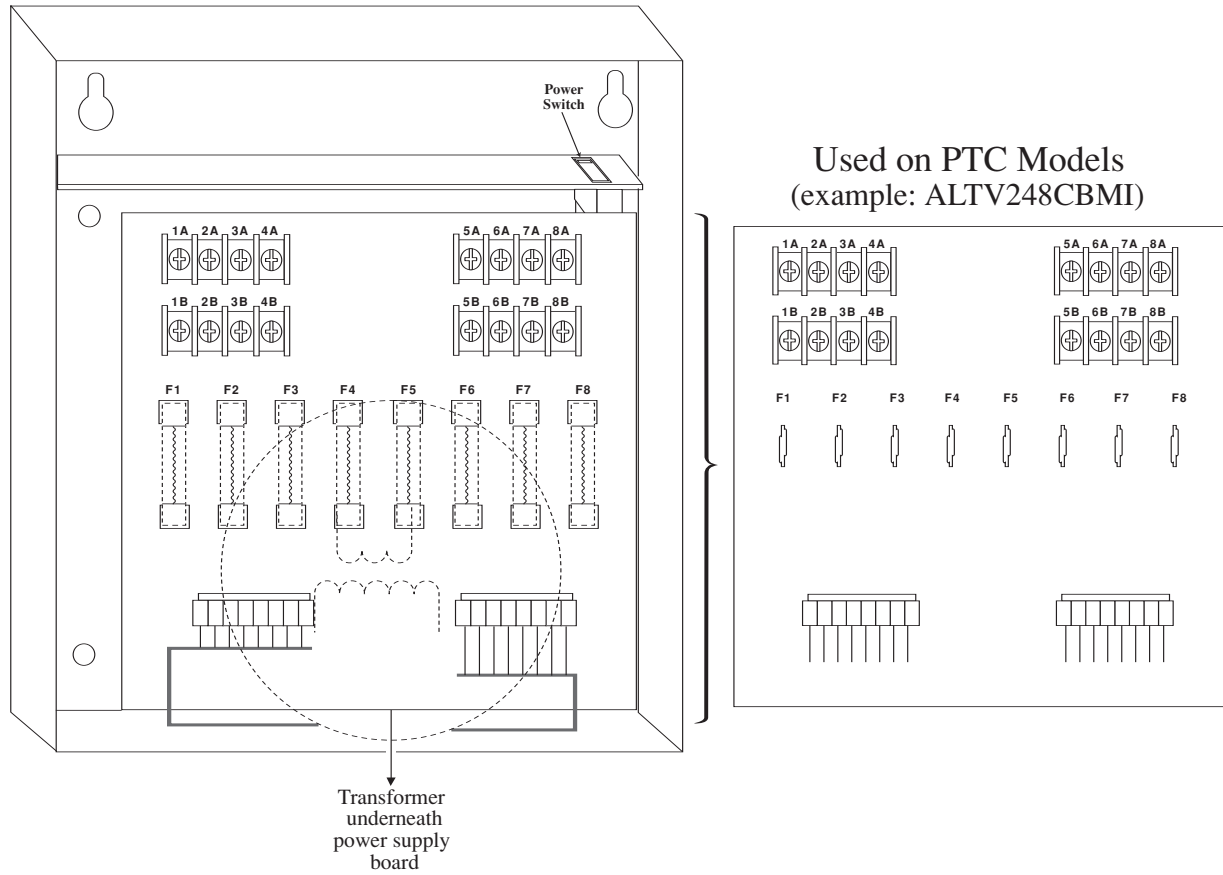
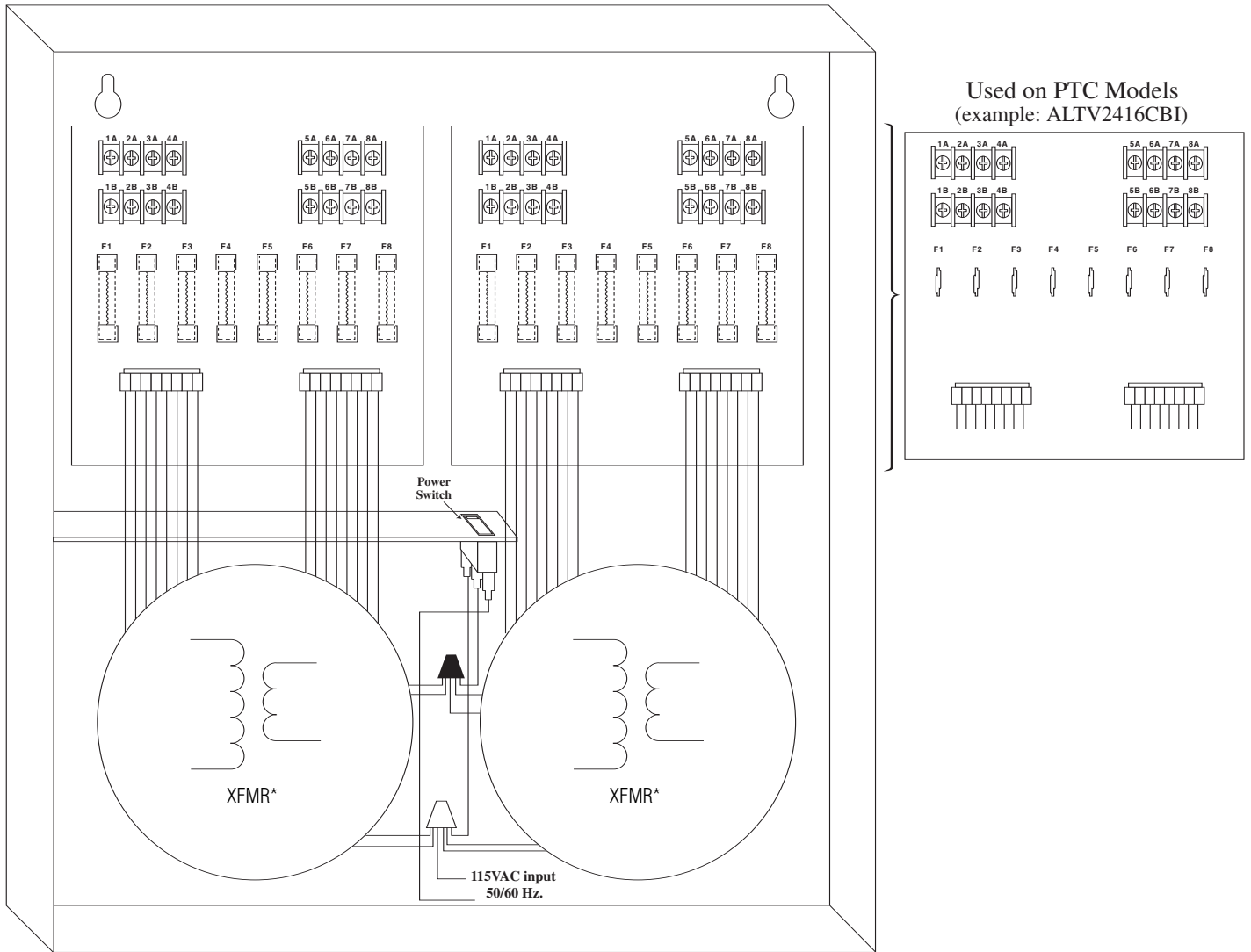


Fig. 3 - ALTV2416I • ALTV2416CBI

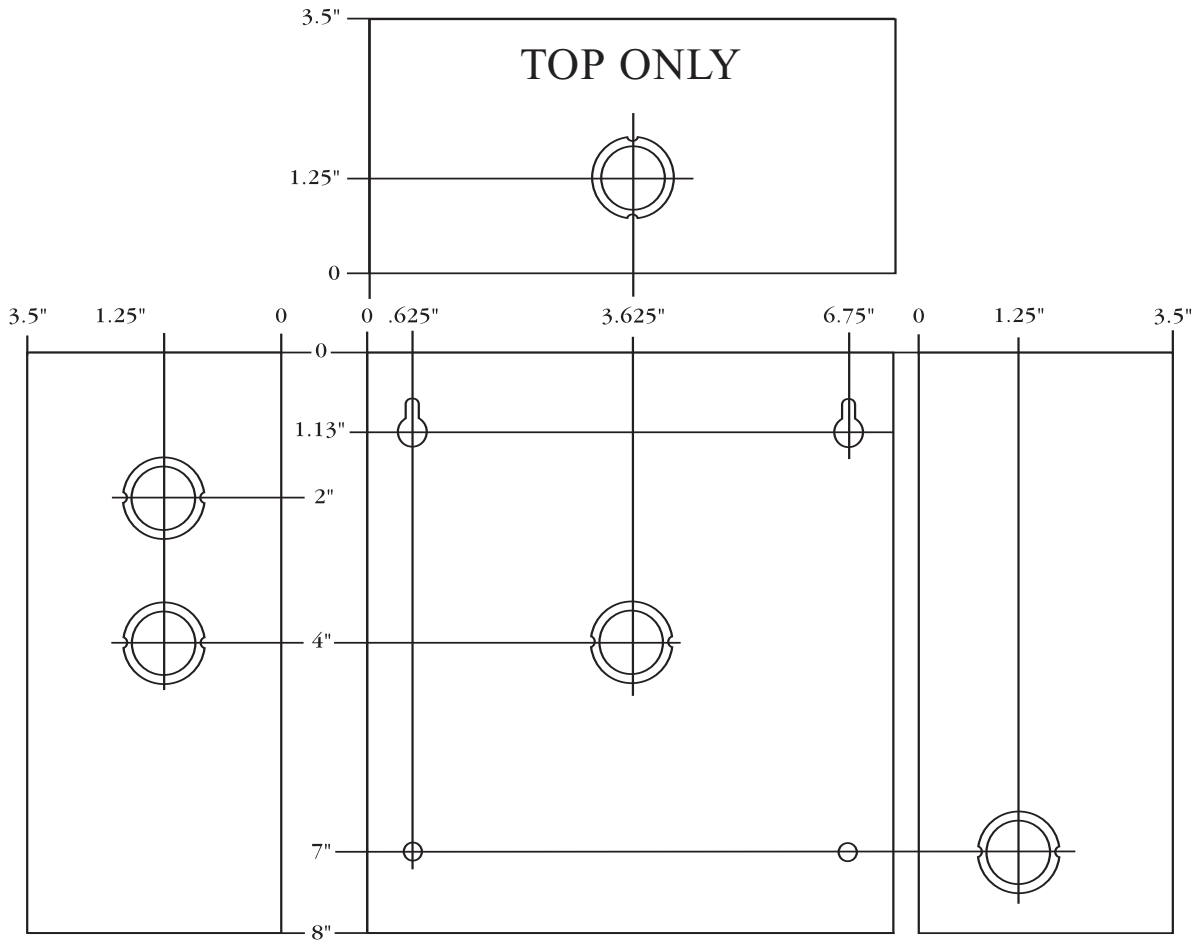


Enclosure Dimensions for:

• **ALTV248MI**

• **ALTV248CBMI**

8.5"H x 7.5"W x 3.5"D

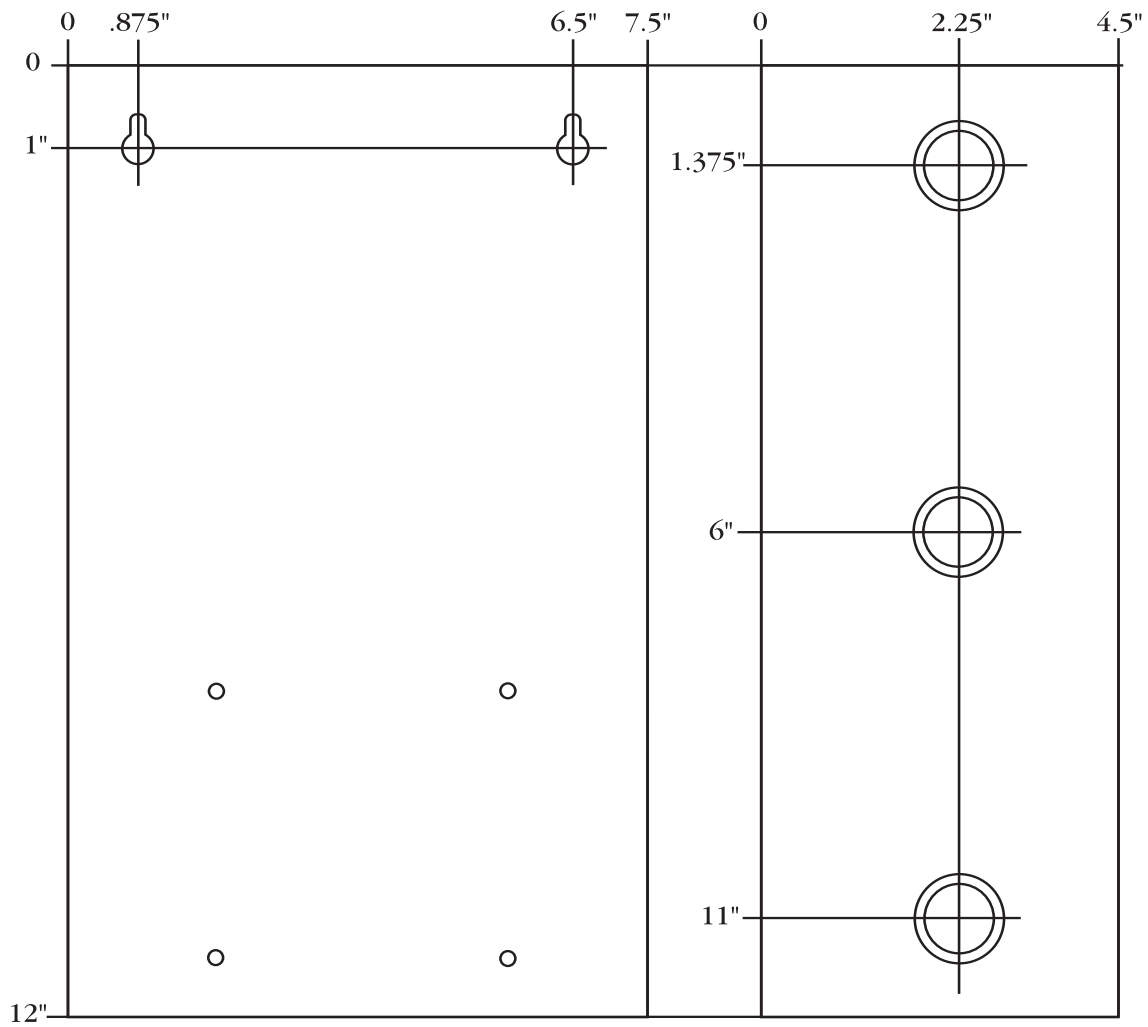


Enclosure Dimensions for:

• **ALTV248HI**

• **ALTV248CBHI**

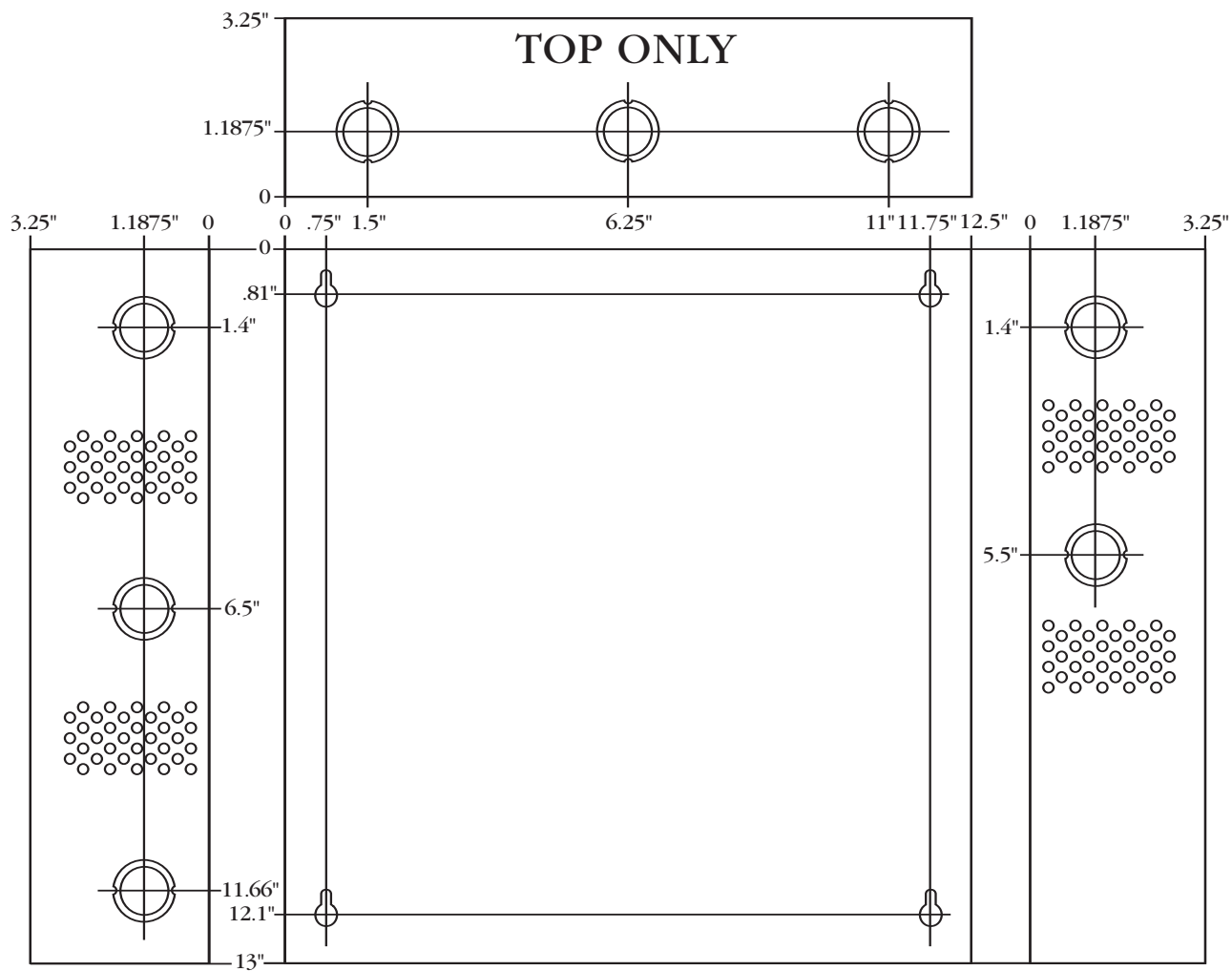
12.25"H x 7.75"W x 4.5"D



Enclosure Dimensions for:

- **ALTV2416I**
- **ALTV2416CBI**

13"H x 13.5"W x 3.5"D



Altronix is not responsible for any typographical errors.

Altronix Corp.
 140 58th Street, Brooklyn, New York 11220 USA, 718-567-8181, fax: 718-567-9056
 web site: www.altronix.com, e-mail: info@altronix.com, Lifetime Warranty, Made in U.S.A.
 IIsolatedSeries A07E

