



Altronix[®]

HubWay[™] ***Series*** ***Video/Data/Power***

Installation Guide

Models Include:

- ***HubWay2***
 - ***Eight (8) Outputs***
24VAC or 28VAC Main Unit
- ***HubWay22***
 - ***Eight (8) Outputs***
24VAC or 28VAC Main Unit
with Eight (8) HubWayA
- ***HubWay23***
 - ***Eight (8) Outputs***
24VAC or 28VAC Main Unit
with Eight (8) HubWayD
- ***HubWayA***
 - ***24VAC/28VAC Video***
Balun Combiner
- ***HubWay2I***
 - ***Eight (8) Isolated Outputs***
24VAC Main Unit
- ***HubWay22I***
 - ***Eight (8) Isolated Outputs***
24VAC Main Unit with
Eight (8) HubWayA
- ***HubWay23I***
 - ***Eight (8) Isolated Outputs***
24VAC Main Unit with
Eight (8) HubWayD
- ***HubWayD***
 - ***12VDC Video***
Balun Combiner

Table of Contents:

Overview 3

HubWay Reference Charts 3

Specifications 3

Installation Instructions 3, 4

Typical Application Drawings 5

Rack Mechanical Drawing & Dimensions 6

Notes 7, 8

Overview:

The HubWay Video Data Power Product Series provides centralized UTP video, RS422/RS-485 data and distributed camera power over a single CAT-5 (or higher) cable to simplify CCTV installations for distances up to 750 feet. This series features eight (8) built-in individually selectable 24/28VAC power outputs. It is universally configurable for both AC and/or DC cameras when used in conjunction with HubWay Series matching AC or DC video balun combiners.

HubWay Configuration Reference Charts:

Altronix Model Number	Output Voltage Options	Total Output	Fused Outputs	Isolated Outputs	24/28VAC (HubWayA)	12VDC (HubWayD)	Video Balun Combiners
HubWay2	24VAC or 28VAC	8 amp	8	-	Order Separately	Order Separately	
HubWay22	24VAC or 28VAC	8 amp	8	-	Includes Eight (8)	-	
HubWay23	12VDC	8 amp	8	-	-	Includes Eight (8)	
HubWay2I	24VAC	8 amp	8	Yes	Order Separately	Order Separately	
HubWay22I	24VAC	8 amp	8	Yes	Includes Eight (8)	-	
HubWay23I	12VDC	8 amp	8	Yes	-	Includes Eight (8)	

Altronix Model Number	Description
HubWayA	24VAC/28VAC Video Balun Combiner
HubWayD	12VDC Video Balun Combiner

Specifications:

Input:

- Input 115VAC 50/60Hz, 3.5 amp.

Data:

- Eight (8) data/PTZ inputs.

Video:

- Eight (8) 75 ohm video inputs.

Output:

- Eight (8) channel combined power, data and video (up to 750 ft.),
- 1 amp max per channel.
- Individually selectable 24VAC or 28VAC (isolated models not selectable).
- Surge suppression.
- Isolated models (HubWay2I, HubWay22I and HubWay23I).

Output (cont'd):

- Fuse protected outputs.

Fuse Ratings:

- In-line fuse rated at 5A/250V.
- Output fuses are rated at 1A/250V.

Visual Indicators:

- Eight (8) individual power LED indicators.

Additional Features:

- Illuminated master power disconnect circuit breaker with manual reset.
- Removable terminal blocks w/locking screw flanges.
- 3-wire grounded line cord.
- Spare fuses provided.

Installation Instructions:

1. Mount unit in desired rack location (space unit at least 3” from any video monitors).
Do not obstruct side air vents.
2. Set illuminated master power disconnect circuit breaker to the [OFF] position.
3. Plug the power cord into a grounded 115VAC 50/60Hz receptacle.
4. Connect the video input for each camera at the head-end equipment to the corresponding video output of the HubWay video data power unit.
5. Connect the data output from the head-end equipment for each PTZ being controlled to the corresponding DATA INPUT of the HubWay (proper polarity must be observed). For a RS485 input parallel the data input terminals for the cameras with PTZs and connect the RS485 output from the head-end equipment to the first camera being controlled (*Fig. 3, pg. 3*).
6. Plug the RJ45 connector at one end of the structured cable for each camera into the corresponding UTP cable jack of the HubWay.
7. Plug the RJ45 connector at the camera end of the structured cable into the UTP cable jack of a passive video balun/combiner. Altronix model # HubWayA for AC cameras and model # HubWayD for DC cameras (*Fig. 1 & 3, pg. 3*).
8. Set the illuminated master power disconnect circuit breaker to the ON (RESET) position and measure the voltage at the terminals marked CAMERA POWER on the passive video balun/combiner to insure proper voltage before connecting the camera. This helps avoid potential damage (*Fig. 1 & 3, pg. 3*).
9. Set illuminated master power disconnect circuit breaker to the [OFF] position.
10. Connect the terminals marked CAMERA POWER (observing polarity for DC cameras) on the passive video balun/combiner to the power input terminals on the camera (*Fig. 1 & 3, pg. 3*).
11. Connect the terminals marked DATA on the passive video balun/combiner to the DATA input terminals on the PTZ (proper polarity must be observed) (*Fig. 1 & 3, pg. 3*).
12. Connect the BNC connector of the passive video balun/combiner to the camera (*Fig. 1 & 3, pg. 3*).
13. Upon completion of wiring set the illuminated master power disconnect circuit breaker to the ON (RESET) position.
14. Green LEDs on the face plate will illuminate when AC is present. When an output is in a trouble condition such as a blown fuse the corresponding LED will not be illuminated. To replace the fuse set the power switch to the OFF position. Remove the front face plate, replace the blown fuse(s) and remount the face plate.
Note: Replace fuses with same type and rating 1A/250V (Altronix model # FUSE4).
15. Power switch with built-in circuit breaker:
OFF position Circuit breaker tripped - Switch not illuminated.
Power LEDs on faceplate are not illuminated. Outputs not powered.
ON position switch illuminated. Outputs powered (RESET).



For fuse protected models:

Replace fuses with the same type and rating 3.5A/250V.



The lightning flash with arrow head symbol within an equilateral triangle is intended to alert the user to the presence of an insulated “DANGEROUS VOLTAGE” within the products enclosure that may be of sufficient magnitude to constitute an electric shock.



The exclamation point within an equilateral triangle is intended to alert the user to the presence of important operating and maintenance (servicing) instructions in the literature accompanying the appliance.



CAUTION
RISK OF ELECTRIC SHOCK
DO NOT OPEN



CAUTION: To reduce the risk of electric shock do not open enclosure. There are no user serviceable parts inside. Refer servicing to qualified service personnel.

Typical Application Drawings

Fig. 1 - HubWayA & HubWayD

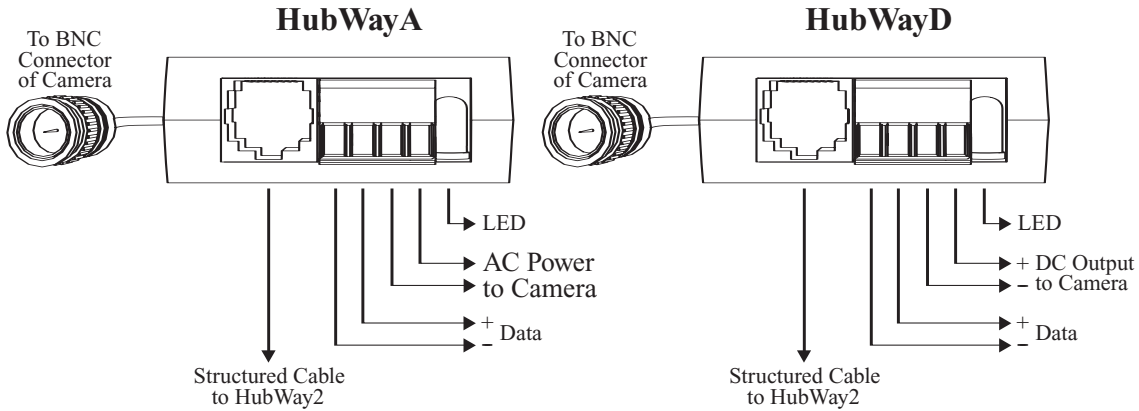


Fig. 2 - CAT5 Wiring Color Codes

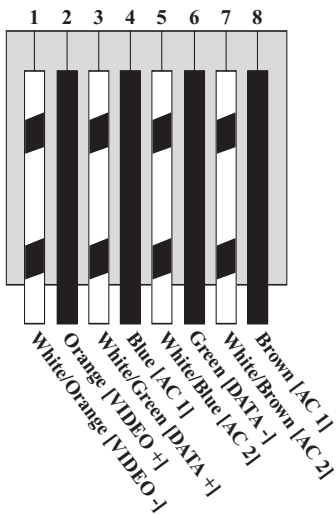


Fig. 3 - Removable Terminal Blocks

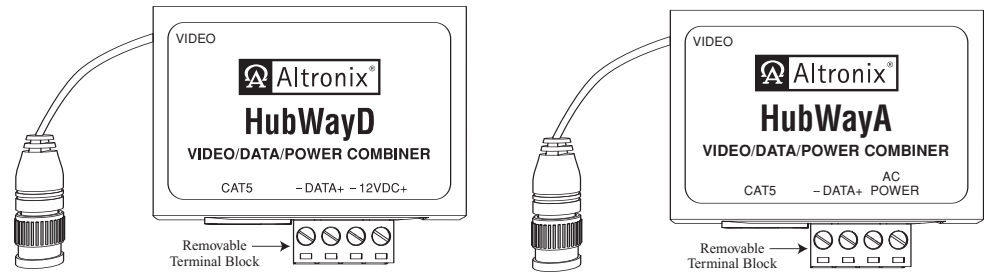


Fig. 4 - Back View of HubWay2 or Hubway2I

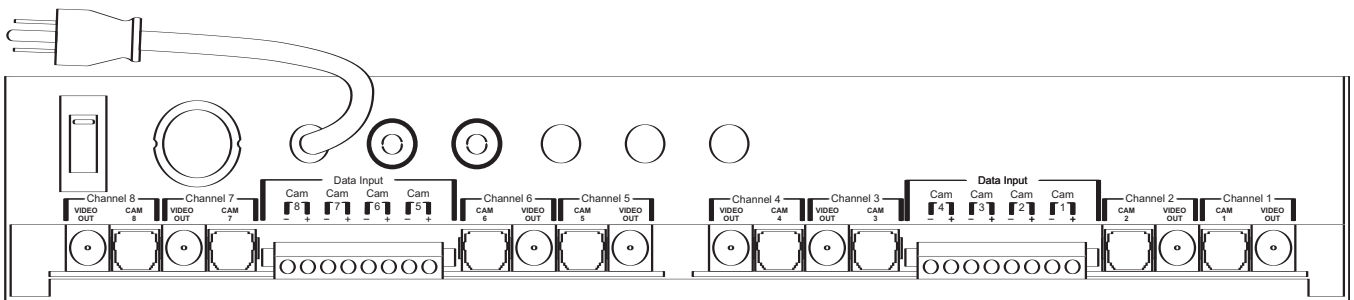
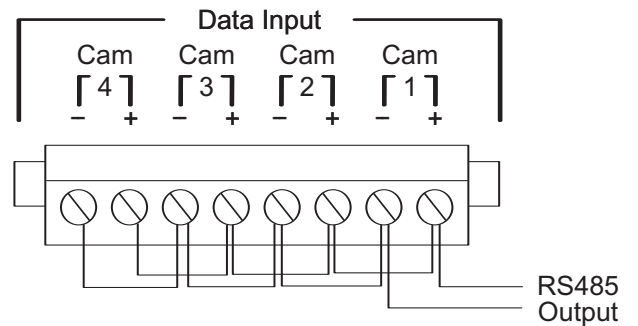
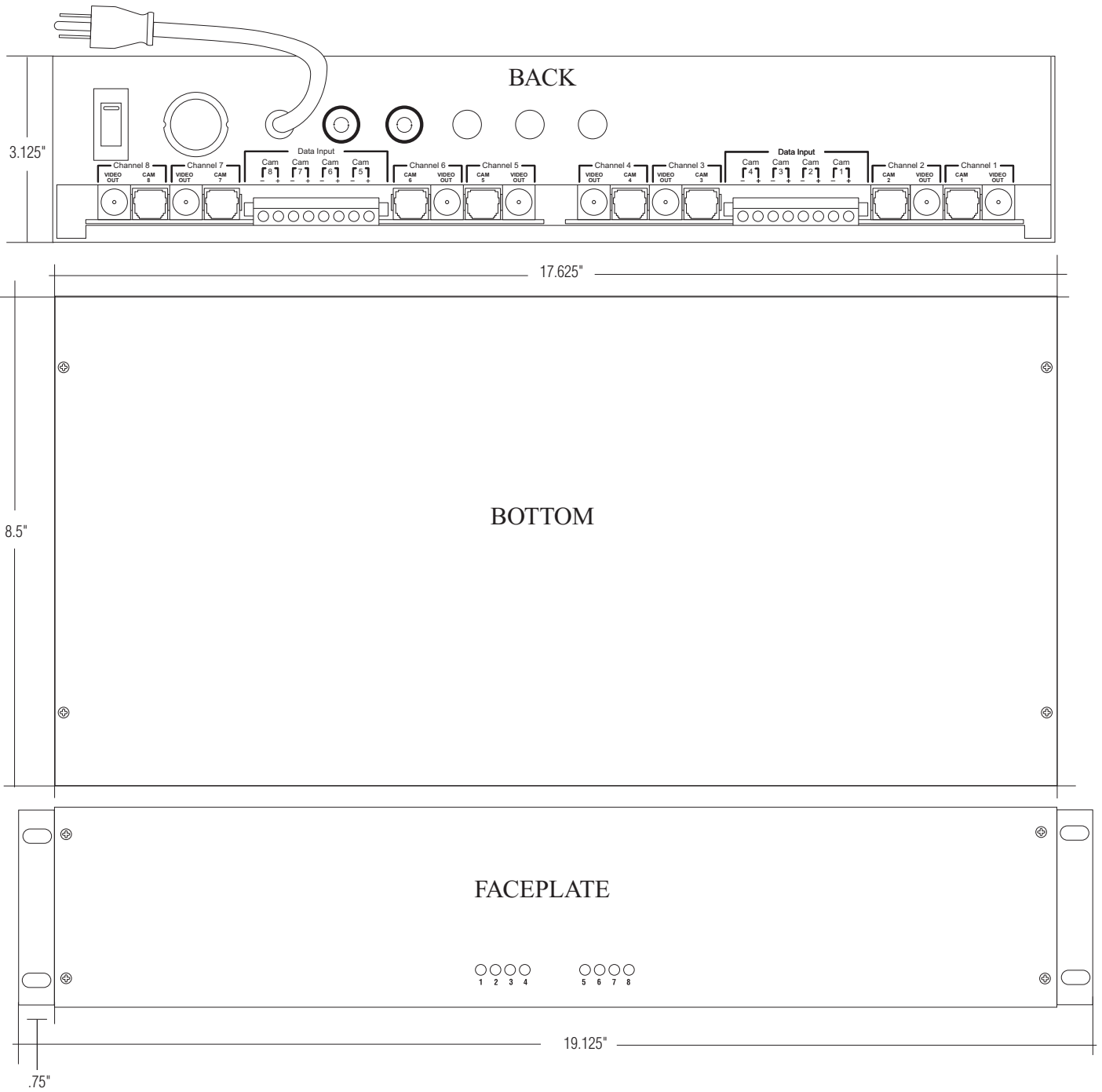


Fig. 5 - RS485 Hook-up



Rack Mechanical Drawing & Dimensions:

3.25"H x 19.125"W x 8.5"D



Notes:

Notes:

Altronix is not responsible for any typographical errors.

140 58th Street, Brooklyn, New York 11220 USA, 718-567-8181, fax: 718-567-9056
website: www.altronix.com, e-mail: info@altronix.com, Lifetime Warranty, Made in U.S.A.
IIHubway F06G

