



ALTV248UL Series CCTV Power Supplies

Installation Guide

Models Include:

- ***ALTV248UL***
 - ***24VAC @ 3.5 amp (85VA)
or 28VAC @ 3 amp (85VA).***
 - ***Eight (8) Fuse Protected Outputs.***
- ***ALTV248175UL***
 - ***24VAC @ 7 amp (175VA)
or 28VAC @ 6.25 amp (175VA).***
 - ***Eight (8) Fuse Protected Outputs.***
- ***ALTV248300UL***
 - ***24VAC @ 12.5 amp (300VA)
or 28VAC @ 10 amp (280VA).***
 - ***Eight (8) Fuse Protected Outputs.***
- ***ALTV248300ULM***
 - ***24VAC @ 12.5 amp (300VA)
or 28VAC @ 10 amp (280VA).***
 - ***Eight (8) Fuse Protected Outputs.***
- ***ALTV248600UL***
 - ***24VAC @ 25 amp (600VA)
or 28VAC @ 20 amp (560VA).***
 - ***Eight (8) Fuse Protected Outputs.***
- ***ALTV248ULCB***
 - ***24VAC @ 3.5 amp (85VA)
or 28VAC @ 3 amp (85VA).***
 - ***Eight (8) PTC Protected Outputs.***
- ***ALTV248175ULCB***
 - ***24VAC @ 7 amp (175VA)
or 28VAC @ 6.25 amp (175VA).***
 - ***Eight (8) PTC Protected Outputs.***
- ***ALTV248300ULCB***
 - ***24VAC @ 12.5 amp (300VA)
or 28VAC @ 10 amp (280VA).***
 - ***Eight (8) PTC Protected Outputs.***
- ***ALTV248300ULCBM***
 - ***24VAC @ 12.5 amp (300VA)
or 28VAC @ 10 amp (280VA).***
 - ***Eight (8) PTC Protected Outputs.***
- ***ALTV248600ULCB***
 - ***24VAC @ 25 amp (600VA)
or 28VAC @ 20 amp (560VA).***
 - ***Eight (8) PTC Protected Outputs.***

Overview:

These Altronix CCTV Power Supplies provide 24VAC or 28VAC distributed via eight (8) fuse or PTC protected outputs for powering CCTV Cameras, heaters and other video accessories.

Eight (8) Output ALTV248UL Reference Chart:

Altronix Model Number	Output Voltage	Total Output Current (Power)	Number of Outputs	PTC Protected Outputs (Class 2 power limited for Dry locations) (Class 3 for Wet locations).	Fuse Protected Class 2 (Class 2 for Dry locations).	Individual Output Current (max per output not to exceed total output current).	Fuse Ratings	Main Fuse Ratings	Primary In-line Fuse Ratings	115VAC 50/60Hz Input Current	Agency Listings
ALTV248UL	24VAC	3.5 amp	8	-	Yes	3.5 amp	3.5 amp	5 amp/ 250V	3.5 amp/ 250V	.9 amp	cULus CE
	28VAC	3 amp									
ALTV248ULCB	24VAC	3.5 amp	8	Yes	-	2.5 amp	-	5 amp/ 250V	3.5 amp/ 250V	.9 amp	cULus CE
	28VAC	3 amp		-	Yes						
ALTV248175UL	24VAC	7 amp	8	-	Yes	3.5 amp	3.5 amp	10 amp/ 250V	-	1.73 amp	cULus CE
	28VAC	6.25 amp									
ALTV248175ULCB	24VAC	7 amp	8	Yes	-	3.5 amp	-	10 amp/ 250V	-	1.73 amp	cULus CE
	28VAC	6.25 amp									
ALTV248300UL	24VAC	12.5 amp	8	-	Yes	3.5 amp	3.5 amp	15 amp/ 32V	-	2.7 amp	cULus CE
	28VAC	10 amp									
ALTV248300ULCB	24VAC	12.5 amp	8	Yes	-	2.5 amp	-	15 amp/ 32V	-	2.7 amp	cULus CE
	28VAC	10 amp									
ALTV248300ULM	24VAC	12.5 amp	8	-	Yes	3.5 amp	3.5 amp	15 amp/ 32V	-	2.7 amp	cULus CE
	28VAC	10 amp									
ALTV248300ULCBM	24VAC	12.5 amp	8	Yes	-	2.5 amp	-	15 amp/ 32V	-	2.7 amp	cULus CE
	28VAC	10 amp									
ALTV248600UL	24VAC	25 amp	8	-	Yes	3.5 amp	3.5 amp	15 amp/ 32V	-	5.4 amp	cULus CE
	28VAC	20 amp									
ALTV248600ULCB	24VAC	25 amp	8	Yes	-	2.5 amp	-	15 amp/ 32V	-	5.4 amp	cULus CE
	28VAC	20 amp									

Specifications:

- UL Listed for Commercial CCTV Equipment (UL 2044).
CUL Listed - CSA Standard C22.2 No.1-98, Audio, Video and Similar Equipment.
- Surge suppression.
- AC power LED indicator.
- Power ON/OFF switch (ALTV248UL, ALTV248ULCB).
- Illuminated power disconnect circuit breaker with manual reset (all other models).
- Unit maintains camera synchronization.
- Ease of installation saves time & eliminates costly labor.
- Spare fuses included (on fuse protected models).

Enclosure Dimensions:

ALTV248UL, ALTV248ULCB, ALTV248300ULM,
and ALTV248300ULCBM:
8.5"H x 7.5"W x 3.5"D
ALTV248175UL, ALTV248175ULCB,
ALTV248300UL and ALTV248300ULCB:
12"H x 7.75"W x 4.5"D
ALTV248600UL and ALTV248600ULCB:
13"H x 13.5"W x 3.5"D

Installation Instructions:

1. Mount unit in desired location.
2. Set power switch on power distribution board marked [PD] to OFF position for models ALTV248UL or ALTV248ULCB (Figs. 1, 2, pg. 5). Set power disconnect circuit breaker to OFF position for all other models (Figs. 3A-10A, pgs. 6-10).
3. All units are factory set for 24VAC operation.
For 28VAC operation adjust unit prior to mounting and applying power as follows:
Change the wire position so that the wire marked [28V] is connected to the terminal marked [P] and the wire marked [24V] is connected to the terminal marked [S].
Note: ALTV248ULCB set for 28VAC operation is not Class 2 Rated, not power limited.
4. Connect AC power to the black and white flying leads of the transformer(s) (Figs. 1-10, pgs. 5-10), secure green lead to earth ground. Use 18 AWG or larger for all power connections.
Keep power limited (PTC protected outputs only) wiring separate from non-power limited wiring. Minimum .25" spacing must be provided. Use separate knockouts.
5. Set power switch on power distribution board marked [PD] to ON position for models ALTV248UL or ALTV248ULCB (Figs. 1, 2, pg. 5). Set power disconnect circuit breaker to RESET (ON) position for all other models (Figs. 3A-10A, pgs. 6-10).
6. Measure output voltage before connecting devices. This helps avoid potential damage.
Terminals marked [1P - 8P] are of the same polarity.
CAUTION: Determine the maximum operating voltage of the equipment being powered before adjusting the output voltage.
7. Set power switch on power distribution board marked [PD] to OFF position for models ALTV248UL or ALTV248ULCB (Figs. 1, 2, pg. 5). Set power disconnect circuit breaker to OFF position for all other models (Figs. 3A-10A, pgs. 6-10).
8. Connect devices to terminals marked [1P - 1N through 4P - 4N] on PD4/PD4CB board (Figs. 9, 10, pgs. 9, 10) or terminals marked [1P - 1N through 8P - 8N] on PD8/PD8CB board (Figs. 1-8, pgs. 5-8), carefully observing polarity.
9. Set power switch on power distribution board marked [PD] to ON position for models ALTV248UL or ALTV248ULCB (Figs. 1, 2, pg. 5). Set power disconnect circuit breaker to RESET (ON) position for all other models (Figs. 3A-10A, pgs. 6-10)
10. Green LED will illuminate when power is present.
11. Upon completion of wiring, secure enclosure door with screws (supplied). Installation of cam lock is optional.
**Caution: Equipment to be installed/serviced by authorized/trained personnel only.
Shut branch circuit power before installing/servicing equipment.**

WARNING: To reduce the risk of fire or electric shock, do not expose the unit to rain or moisture. This installation should be made by qualified service personnel and should conform to all local codes and in accordance with the National Electrical Code. Use 75° C or higher rated UL insulated wiring for connecting the unit to the mains. Replace fuses with the same type and rating (refer to Eight (8) Output ALTV248UL Reference Chart, pg. 2)

Terminal Identification:

PD4 - Power Distribution Module

1P - 4P	AC output.
1N - 4N	AC output.

PD8 - Power Distribution Module

1P - 8P	AC output.
1N - 8N	AC output.



The lightning flash with arrow head symbol within an equilateral triangle is intended to alert the user to the presence of an insulated “DANGEROUS VOLTAGE” within the products enclosure that may be of sufficient magnitude to constitute an electric shock.



The exclamation point within an equilateral triangle is intended to alert the user to the presence of important operating and maintenance (servicing) instructions in the literature accompanying the appliance.



CAUTION
RISK OF ELECTRIC SHOCK
DO NOT OPEN



CAUTION: To reduce the risk of electric shock do not open enclosure. There are no user serviceable parts inside. Refer servicing to qualified service personnel.

Fig. 1
ALTV248UL

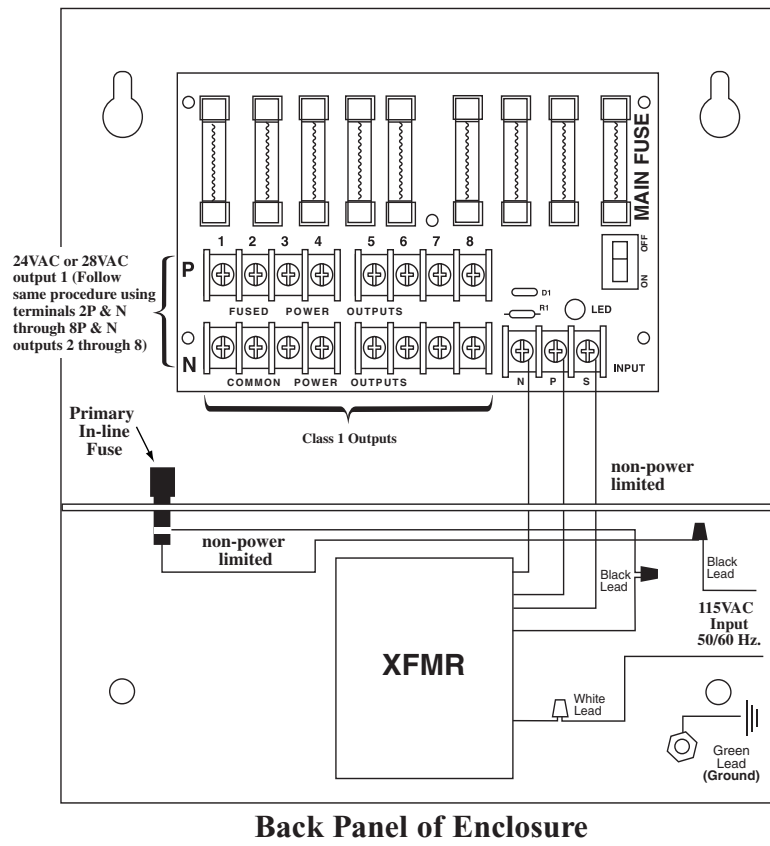


Fig. 2
ALTV248ULCB

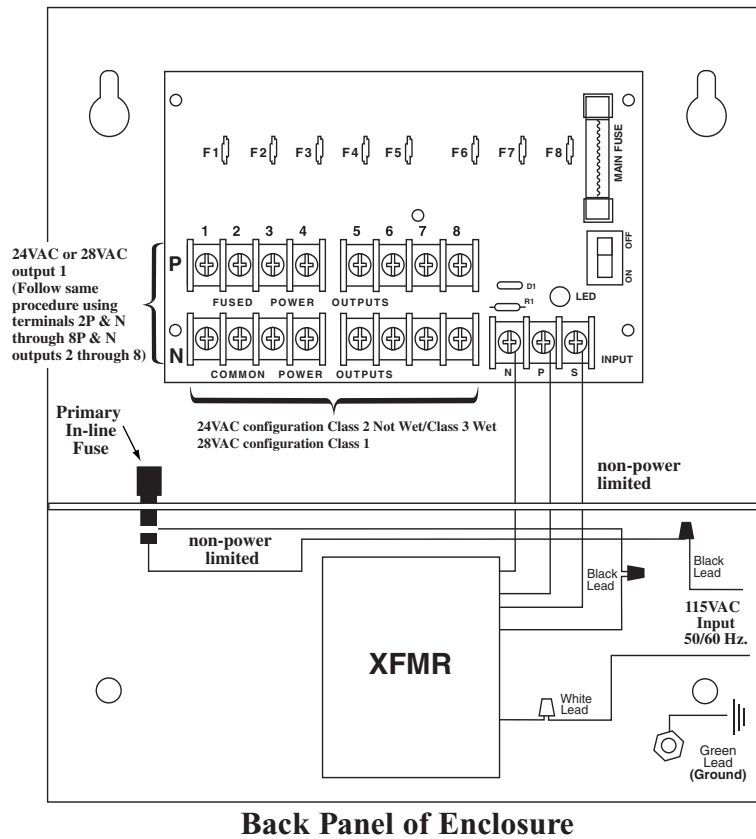


Fig. 3
ALTV248175UL

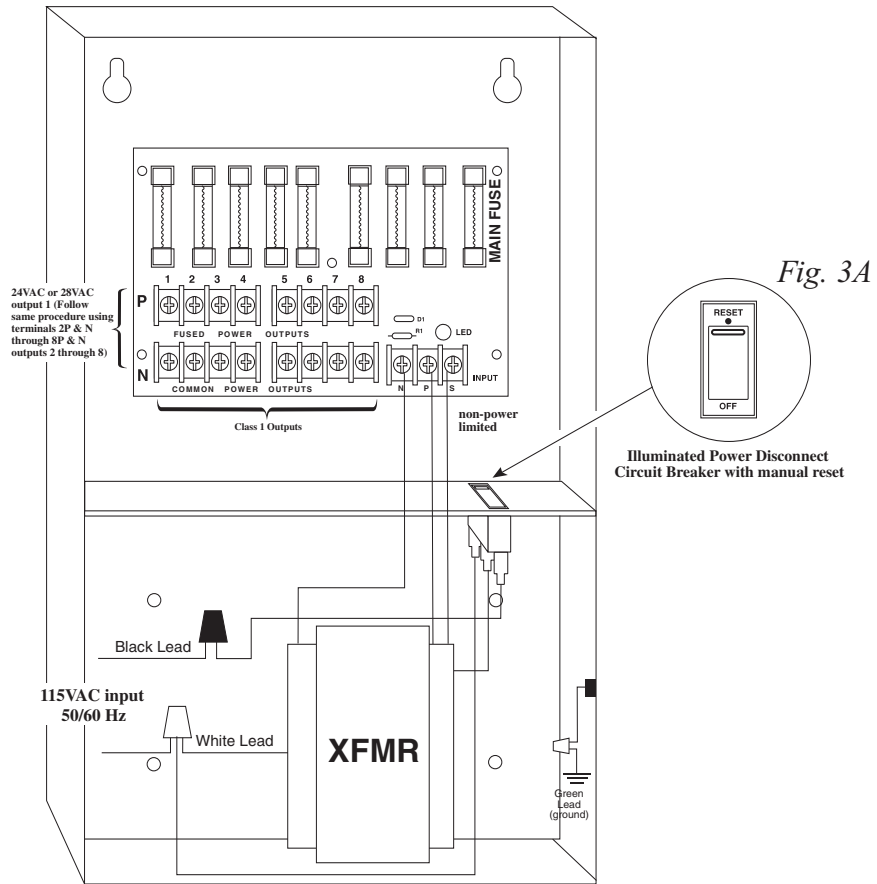


Fig. 4
ALTV248175ULCB

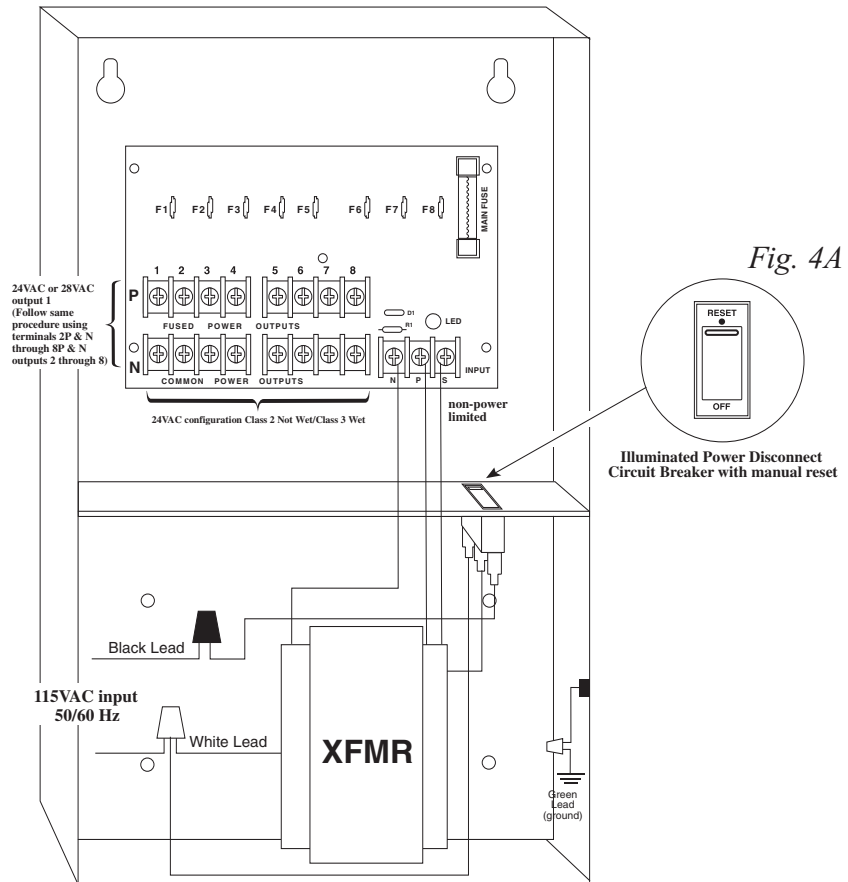


Fig. 5
ALTV248300UL

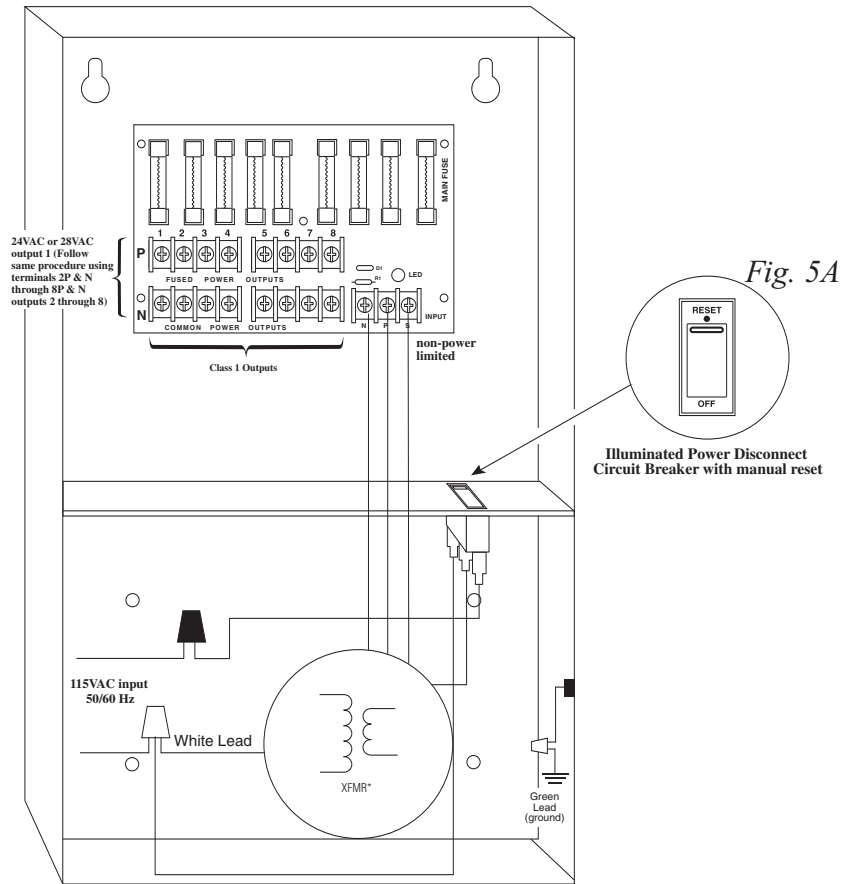


Fig. 6
ALTV248300ULCB

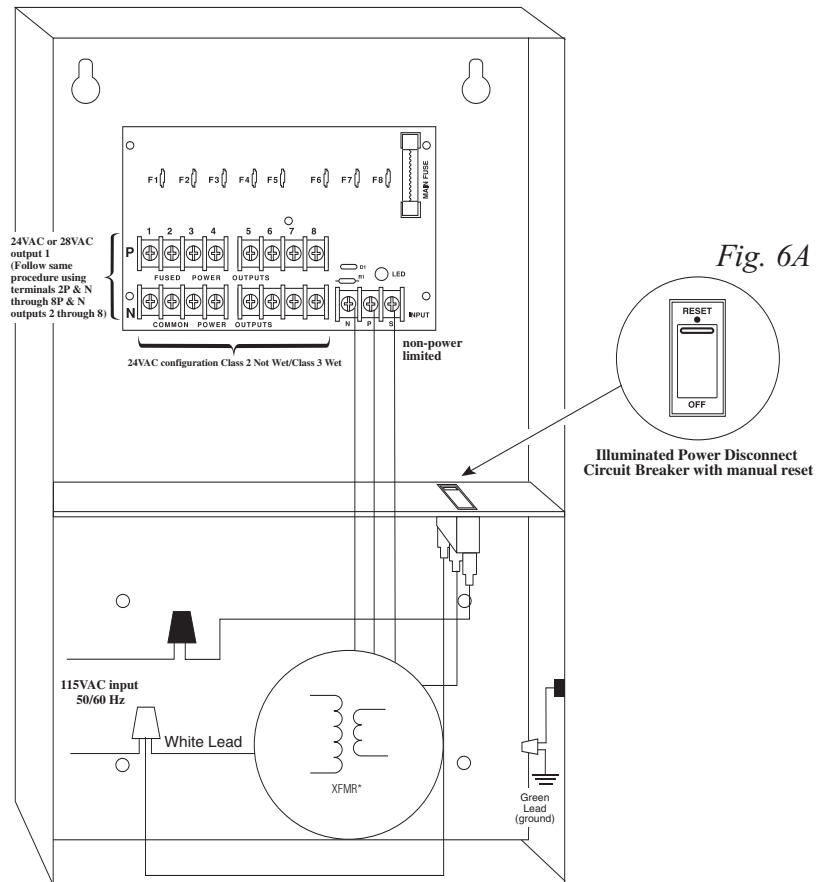


Fig. 7
ALTV248300ULM

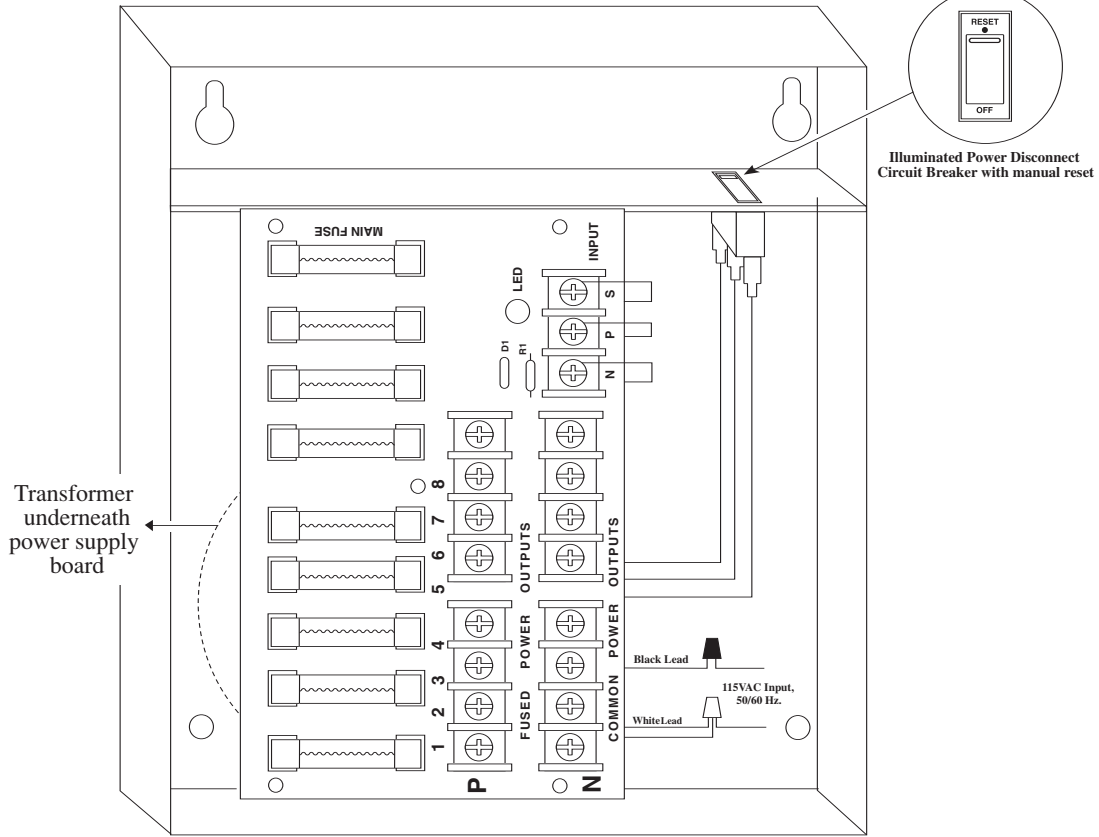


Fig. 8
ALTV248300ULCBM

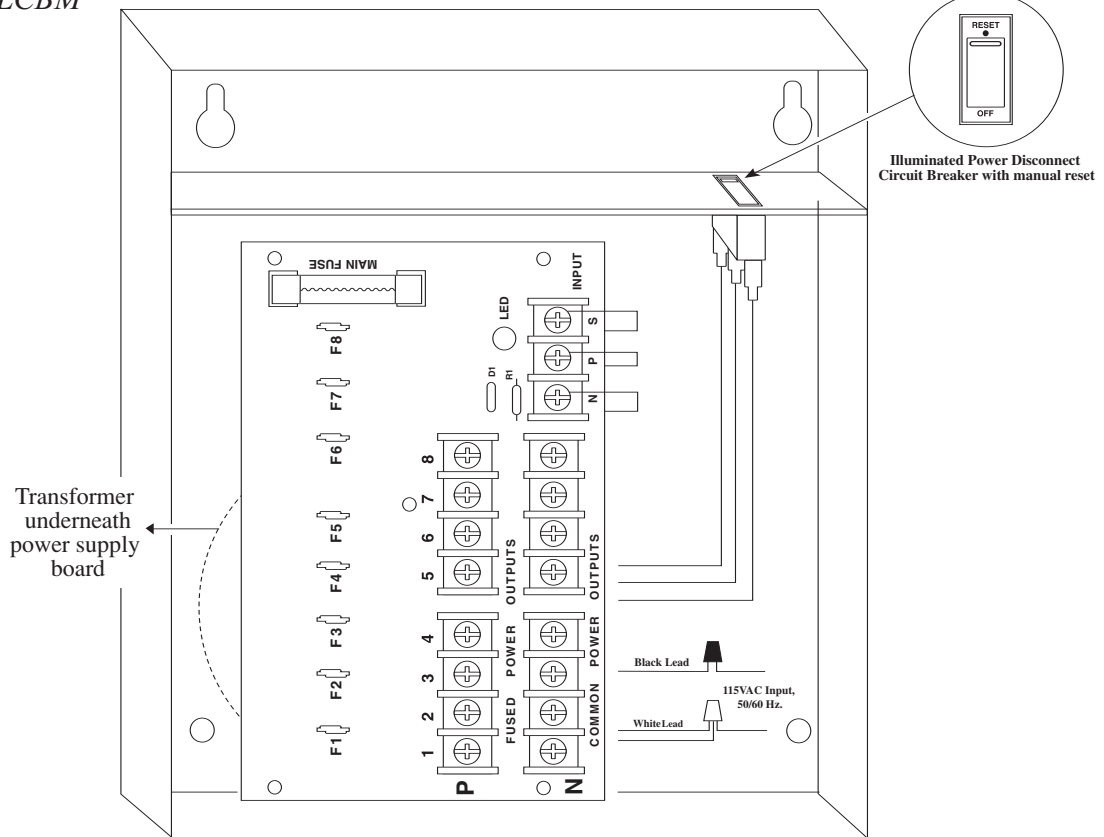
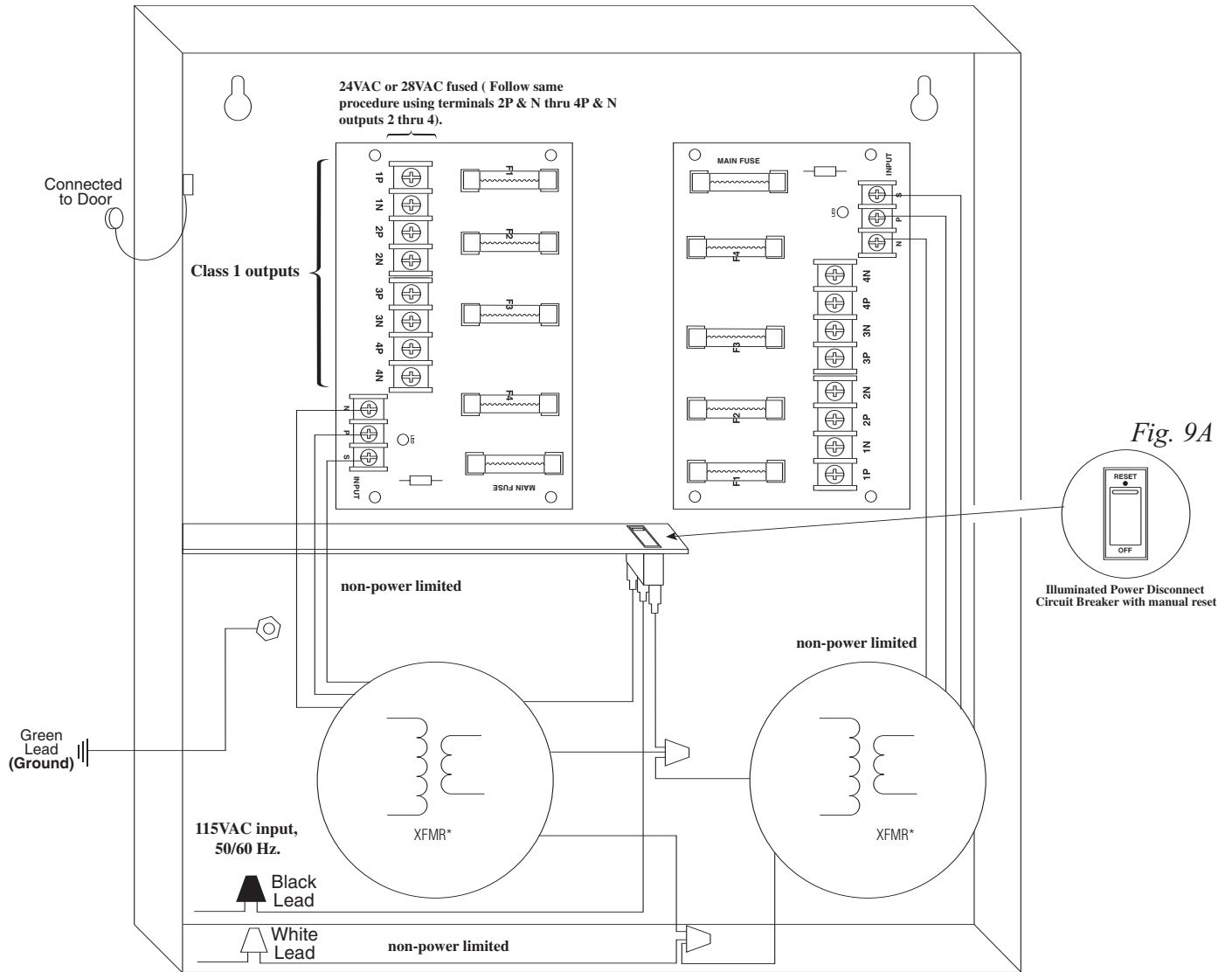


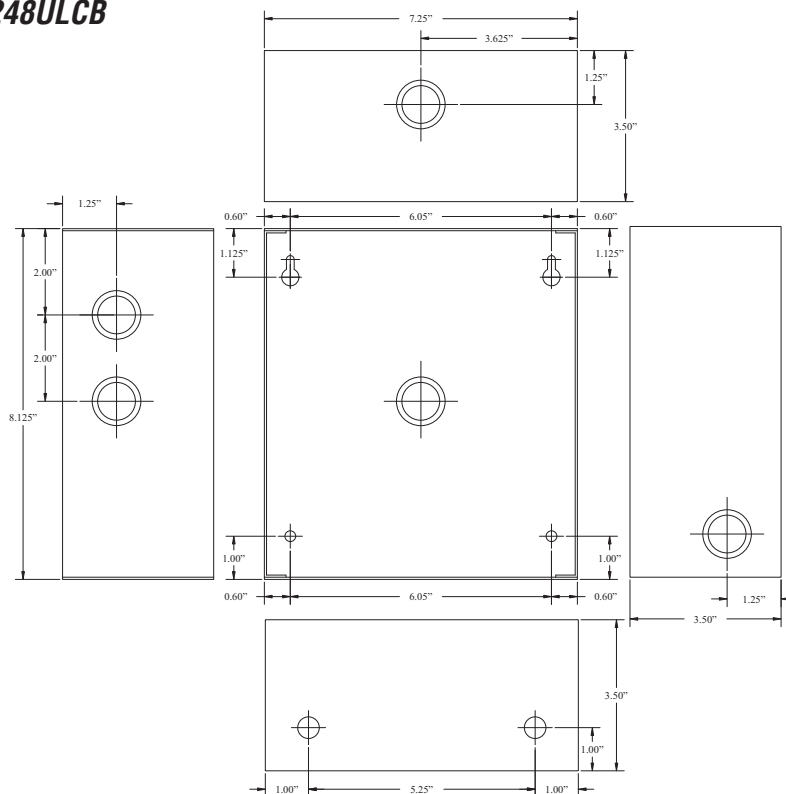
Fig. 9
ALTV248600UL



Enclosure Dimensions for:

• **ALTV248UL** • **ALTV248ULCB**

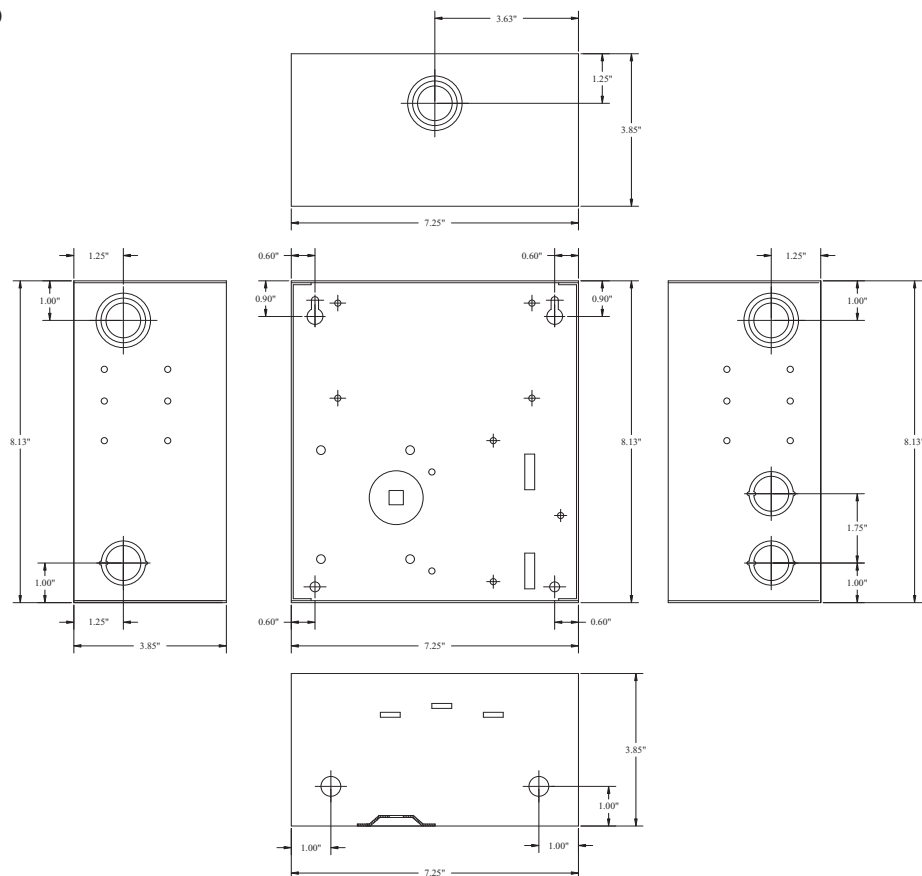
8.5"H x 7.5"W x 3.5"D



Enclosure Dimensions for:

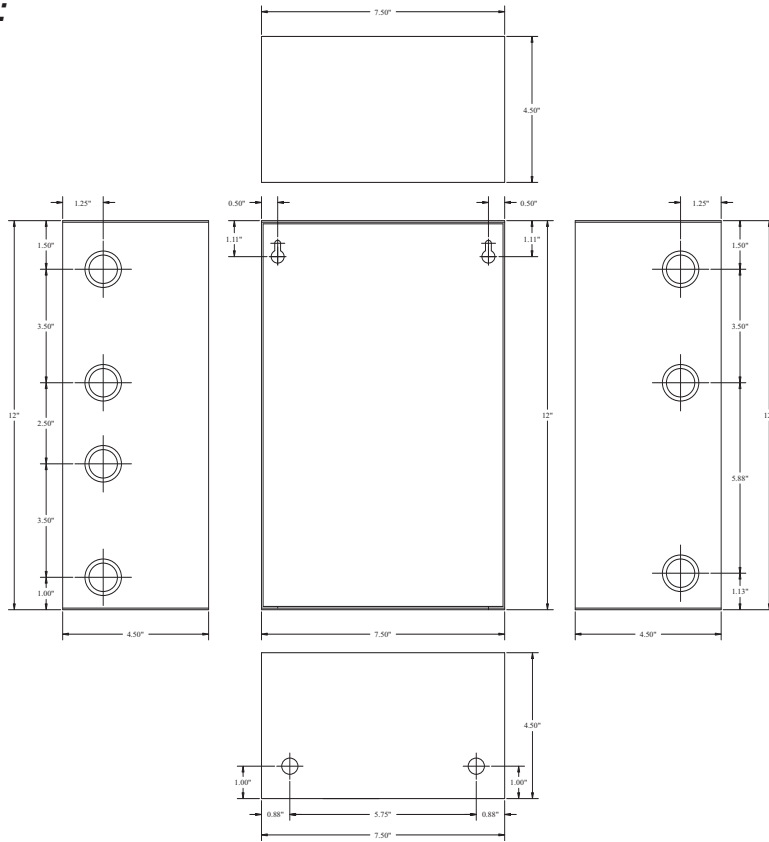
• **ALTV248300ULM** • **ALTV248300ULCBM**

8.5"H x 7.5"W x 3.5"D



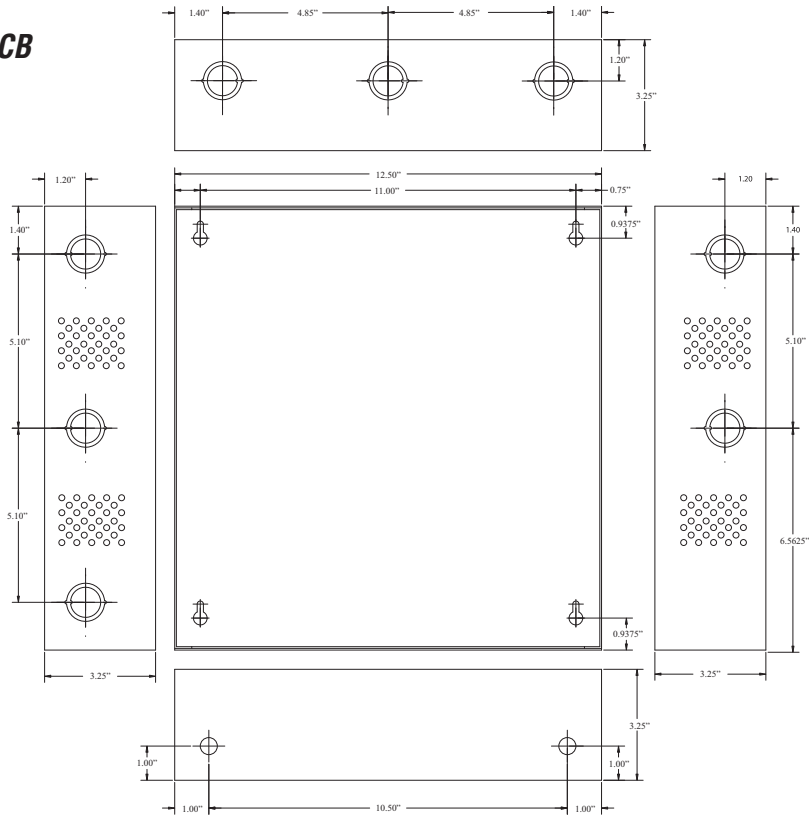
Enclosure Dimensions for:

- **ALTV248175UL**
 - **ALTV248175ULCB**
 - **ALTV248300UL**
 - **ALTV248300ULCB**
- 12"H x 7.25"W x 4.5"D



Enclosure Dimensions for:

- **ALTV248600UL**
 - **ALTV248600ULCB**
- 13"H x 13.5"W x 3.5"D



Altronix is not responsible for any typographical errors.

Altronix Corp.
 140 58th Street, Brooklyn, New York 11220 USA, 718-567-8181, fax: 718-567-9056
 web site: www.altronix.com, e-mail: info@altronix.com, Lifetime Warranty, Made in U.S.A.
 III1ALTV248ULSeries D05F

