



ACM8 & ACM8CB ***Access Power Controllers*** ***Installation Guide***







Models Include:

- ***ACM8***
 - ***Fused Outputs***
- ***ACM8CBE***
 - ***PTC Outputs***
- ***ACM8E***
 - ***Fused Outputs***
- ***ACM8CB***
 - ***PTC Outputs***

Overview:

These units convert one (1) 12 to 24 volt AC or DC input into eight (8) independently controlled fused or PTC protected outputs. These power outputs can be converted to dry form “C” contacts (ACM8 & ACM8E only). Outputs are activated by an open collector sink or normally open (NO) dry trigger input from an Access Control System, Card Reader, Keypad, Push Button, PIR, etc. The units will route power to a variety of access control hardware devices including Mag Locks, Electric Strikes, Magnetic Door Holders, etc. Outputs will operate in both Fail-Safe and/or Fail-Secure modes. Units are designed to be powered by one common power source which will provide power for both the board operation and locking devices, or two (2) totally independent power sources, one (1) providing power for board operation and the other for lock / accessory power. The FACP Interface enables Emergency Egress, Alarm Monitoring, or may be used to trigger other auxiliary devices. The fire alarm disconnect feature is individually selectable for any or all of the eight (8) outputs.

ACM8 & ACM8CB Series Configuration Reference Chart:

Altronic Model Number	Fuse Protected Outputs	PTC Protected Outputs	Output Ratings	Enclosure	Power Limited	Agency Listings	UL Listings and File Numbers
ACM8	x	-	3.5 amp		*		UL294 (File# BP6714)
ACM8E	x	-	3.5 amp	x	*	 	UL294 (File# BP6714)
ACM8CB	-	x	2.5 amp		x		UL294 (File# BP6714)
ACM8CBE	-	x	2.5 amp	x	x	 	UL294 (File# BP6714)

*When used with Power Limited power supply.

Specifications:

- 12 to 24volt AC or DC operation (setting not required).
(.6 amp @ 12volt, .3 amp @ 24volt current consumption with all relays energized).
- Power supply input options:
 - a) One (1) common power input (board and lock power).
 - b) Two (2) isolated power inputs (one (1) for board power and one (1) for lock/hardware power).
- Eight (8) Access Control System trigger inputs:
 - a) Eight (8) normally open (NO) inputs.
 - b) Eight (8) open collector sink inputs.
 - c) Any combination of the above.
- Eight (8) independently controlled outputs:
 - a) Eight (8) Fail-Safe and/or Fail-Secure power outputs.
 - b) Eight (8) dry form “C” 5 amp rated relay outputs (ACM8 & ACM8E only).
 - c) Any combination of the above (ACM8 & ACM8E only).
- Eight (8) auxiliary power outputs (unswitched).
- Output ratings:
 - Fuses are rated 3.5 amp each.
 - PTCs are rated 2.5 amp each.
- Main fuse is rated at 10 amp.
Note: Total output current is determined by the power supply, not to exceed a maximum of 10 amp total.
- Red LEDs indicate outputs are triggered (relays energized).
- Fire Alarm disconnect (latching or non-latching) is individually selectable for any or all of the eight (8) outputs.
Fire Alarm disconnect input options:
 - a) Normally open (NO) or normally closed (NC) dry contact input.
 - b) Polarity reversal input from FACP signaling circuit.
- FACP output relay (form “C” contact rated @ 1 amp 28VDC not evaluated by UL).
- Green LED indicates when FACP disconnect is triggered.
- Removable terminal blocks facilitate ease of installation.

Board Dimensions (approximate): 8”L x 4.5”W x 1.25”H (ACM8 and ACM8CB)

Enclosure Dimensions: 13.5”H x 13”W x 3.5”D (ACM8E and ACM8CBE)

Installation Instructions:

1. Mount unit in desired location/enclosure.

Carefully review:

Typical Application Diagram

(pg. 4)

Terminal Identification Table

(pg. 5)

LED Diagnostics

(pg. 5)

Hook-up Diagrams

(pg. 6)

2. **Power supply input:**

The units can be powered with one (1) power supply which will provide power for both board operation and the locking devices or two (2) separate power supplies, one (1) to provide power for the board operation and the other to provide power for the locking devices and/or access control hardware.

Note: The input power can be either 12 to 24 volts AC or DC (.6 amp @ 12volt, .3 amp @ 24volt current consumption with all relays energized).

(a) Single power supply input:

If the unit and the locking devices are to be powered using a single power supply, connect the output (12 to 24 volts AC or DC) to the terminals marked [- Control +].

(b) Dual power supply inputs (Fig. 1, pg. 4):

When the use of two power supplies is desired, jumpers J1 and J2 (located to the left of the power/control terminals) must be cut. Connect power for the unit to the terminals marked [- Control +] and connect power for the locking devices to the terminals marked [- Power +].

Note: When using DC power supplies polarity must be observed. When using AC power supplies polarity need not be observed.

Note: For UL compliance the power supplies must be UL Listed for Access Control Systems and accessories.

3. **Output options (Fig. 1, pg. 4):**

The ACM8/ACM8E will provide either eight (8) switched power outputs, eight (8) dry form “C” outputs, or any combination of of both switched power and form “C” outputs, plus eight (8) unswitched auxiliary power outputs. The ACM8CB/ACM8CBE will provide eight (8) switched power outputs or eight (8) unswitched auxiliary power outputs.

(a) Switched Power outputs:

Connect the negative (-) input of the device being powered to the terminal marked [COM]. For Fail-Safe operation connect the positive (+) input of the device being powered to the terminal marked [NC]. For Fail-Secure operation connect the positive (+) input of the device being powered to the terminal marked [NO].

(b) Form “C” outputs (ACM8 & ACM8E):

When form “C” outputs are desired the corresponding output fuse (1-8) must be removed. Connect negative (-) of the power supply directly to the locking device. Connect the positive (+) of the power supply to the terminal marked [C]. For Fail-Safe operation connect the positive (+) of the device being powered to the terminal marked NC]. For Fail-Secure operation connect the positive (+) of the device being powered to the terminal marked [NO].

(c) Auxiliary Power outputs (unswitched):

Connect positive (+) input of the device being powered to the terminal marked [C] and the negative (-) of the device being powered to the terminal marked [COM]. Output can be used to provide power for card readers, keypads etc.

4. **Input trigger options (Fig. 1, pg. 4):**

(a) Normally Open [NO] input trigger:

Inputs 1-8 are activated by normally open or open collector sink inputs.

Connect devices (card readers, keypads, request to exit buttons etc.) to terminals marked [IN] and [GND].

(b) Open Collector Sink inputs:

Connect the access control panel open collector sink positive (+) to the terminal marked [IN] and the negative (-) to the terminal marked [GND].

5. **Fire Alarm Interface options (Figs. 3 through 7, pg. 6):**

A normally closed [NC], normally open [NO] input or polarity reversal input from FACP signaling circuit will trigger selected outputs. To enable FACP Disconnect for an output open the corresponding switch [SW1-SW8]. To disable FACP disconnect for an output close the corresponding switch [SW1-SW8].

(a) Normally Open [NO] input:

For non-latching hook-up (Fig. 4, pg. 6). For latching hook-up (Fig. 5, pg. 6).

(b) Normally Closed [NC] input:

For non-latching hook-up (Fig. 6, pg. 6). For latching hook-up (Fig. 7, pg. 6).

(c) FACP Signaling Circuit input trigger:

Connect the positive (+) and negative (-) from the FACP signaling circuit output to the terminals marked [+ INP -]. Connect the FACP EOL to the terminals marked [+ RET -] (polarity is referenced in an alarm condition).

Jumper J3 must be cut (Fig. 3, pg. 6).

6. **FACP Dry form "C" output** (Fig. 1A, pg. 4):

Connect desired device to be triggered by the unit's dry contact output to the terminals marked [NO] and [C] FACP for normally open output or the terminals marked [NC] and [C] FACP for normally closed output.

Typical Application Diagram:

Fig. 1

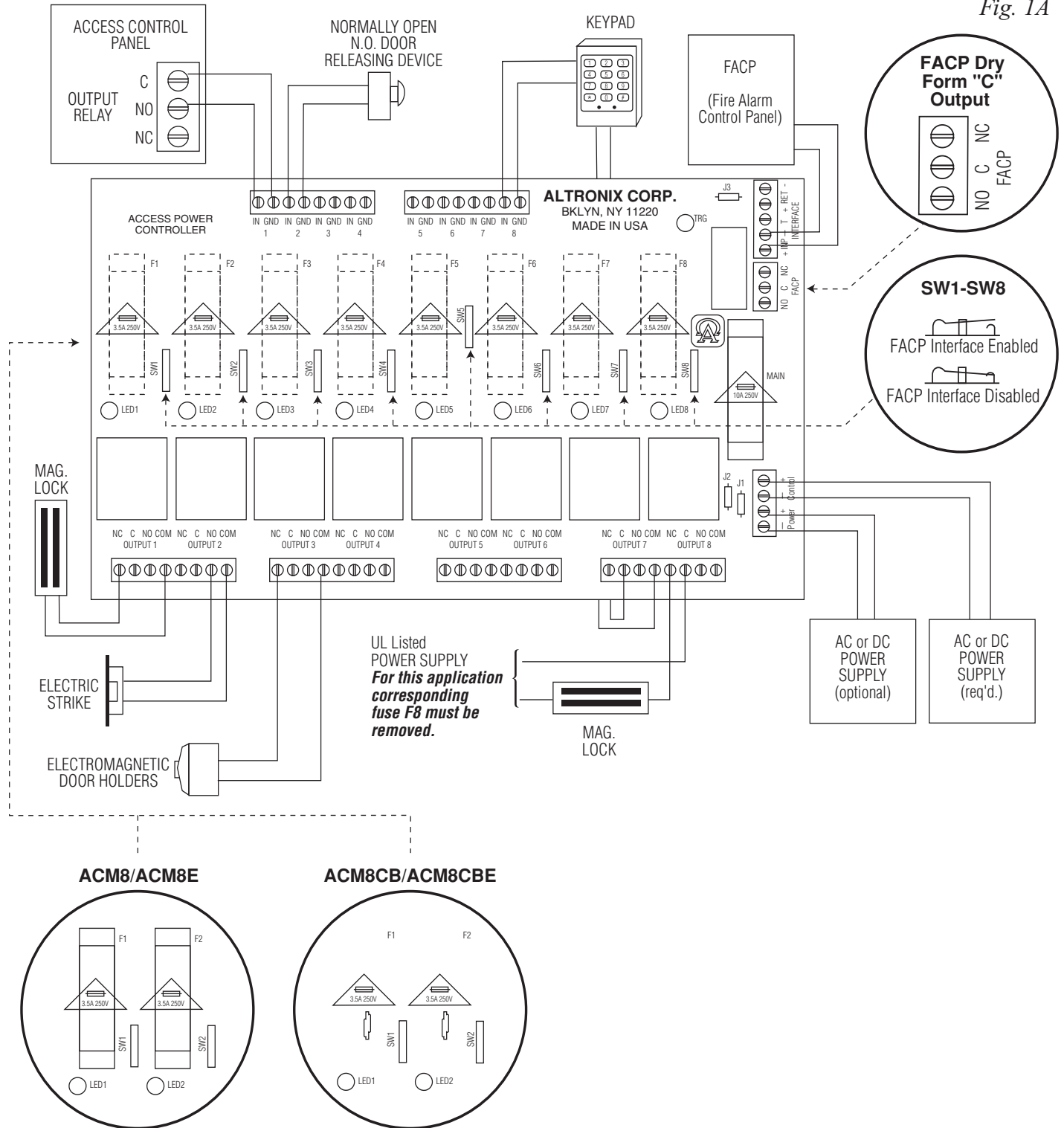


Fig. 1A

LED Diagnostics:

ACM8 & ACM8CB Access Power Controller

LED	ON	OFF
LED 1- LED 8 (Red)	Output relay(s) energized.	Output relay(s) de-energized.
Trg (Green)	FACP input triggered (alarm condition).	FACP normal (non-alarm condition).

Terminal Identification Tables:

ACM8 & ACM8CB Access Power Controller

Terminal Legend	Function/Description
- Power +	12VDC or 24VDC input from power supply board.
- Control +	These terminals can be connected to a separate, UL listed power supply to provide isolated operating power for the ACM8/ACM8E/ACM8CB/ACM8CBE (jumpers J1 and J2 Must be removed).
TRIGGER INPUT 1- INPUT 8 IN, GND	From normally open and/or open collector sink trigger inputs (request to exit buttons, exit pir's, etc.).
OUTPUT 1-OUTPUT 8 NC, C, NO, COM	12 to 24 volts AC/DC trigger controlled outputs: Fail-Safe [NC positive (+) & COM Negative (-)], Fail-Secure [NO positive (+) & COM Negative (-)], Auxiliary output [C positive (+) & COM Negative (-)] (When using AC power supplies polarity need not be observed), NC, C, NO become form "C" 5 amp 24VAC/VDC rated dry outputs when fuses are removed (ACM8/ACM8E). Contacts shown in a non-triggered state.
FACP INTERFACE T, + INPUT -	Fire Alarm Interface trigger input from FACP. Trigger inputs can be normally open, normally closed from an FACP output circuit (<i>Fig. 3 through 7, pg. 6</i>).
FACP INTERFACE NC, C, NO	Form "C" relay contact rated @ 1 amp 28VDC for alarm reporting. (This output has not been evaluated by UL).

Hook-up Diagrams:

Fig. 2 Optional hook-up using two (2) isolated power supply inputs:

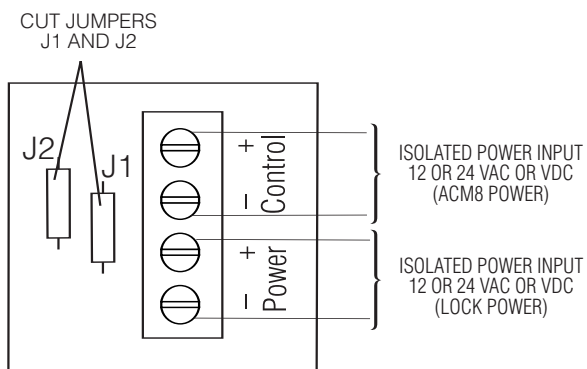


Fig. 3 Polarity reversal input from FACP signaling circuit output (polarity is referenced in alarm condition):

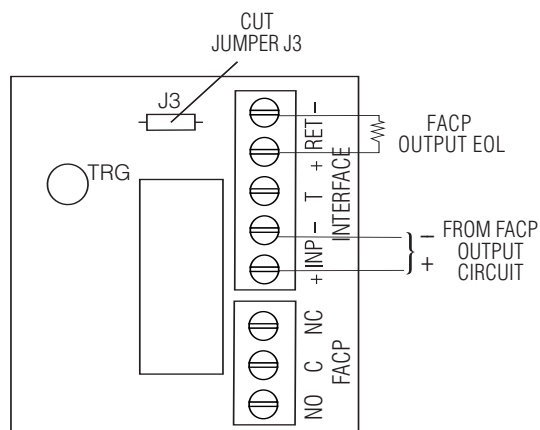


Fig. 4 Normally Open - Non-Latching FACP trigger input:

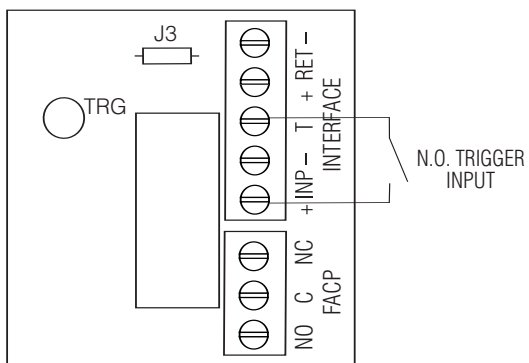


Fig. 5 Normally Open FACP Latching trigger input with reset:
(This output has not been evaluated by UL)

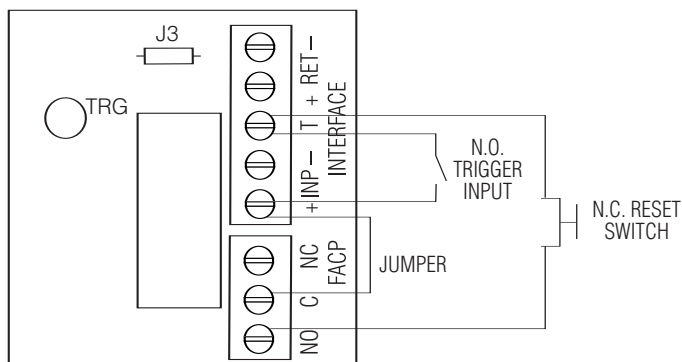


Fig. 6 Normally Closed - Non-Latching FACP trigger input:

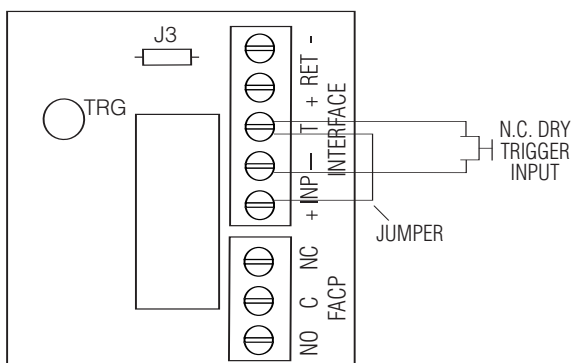
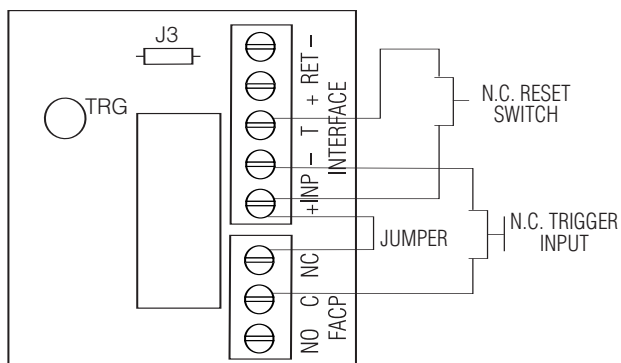
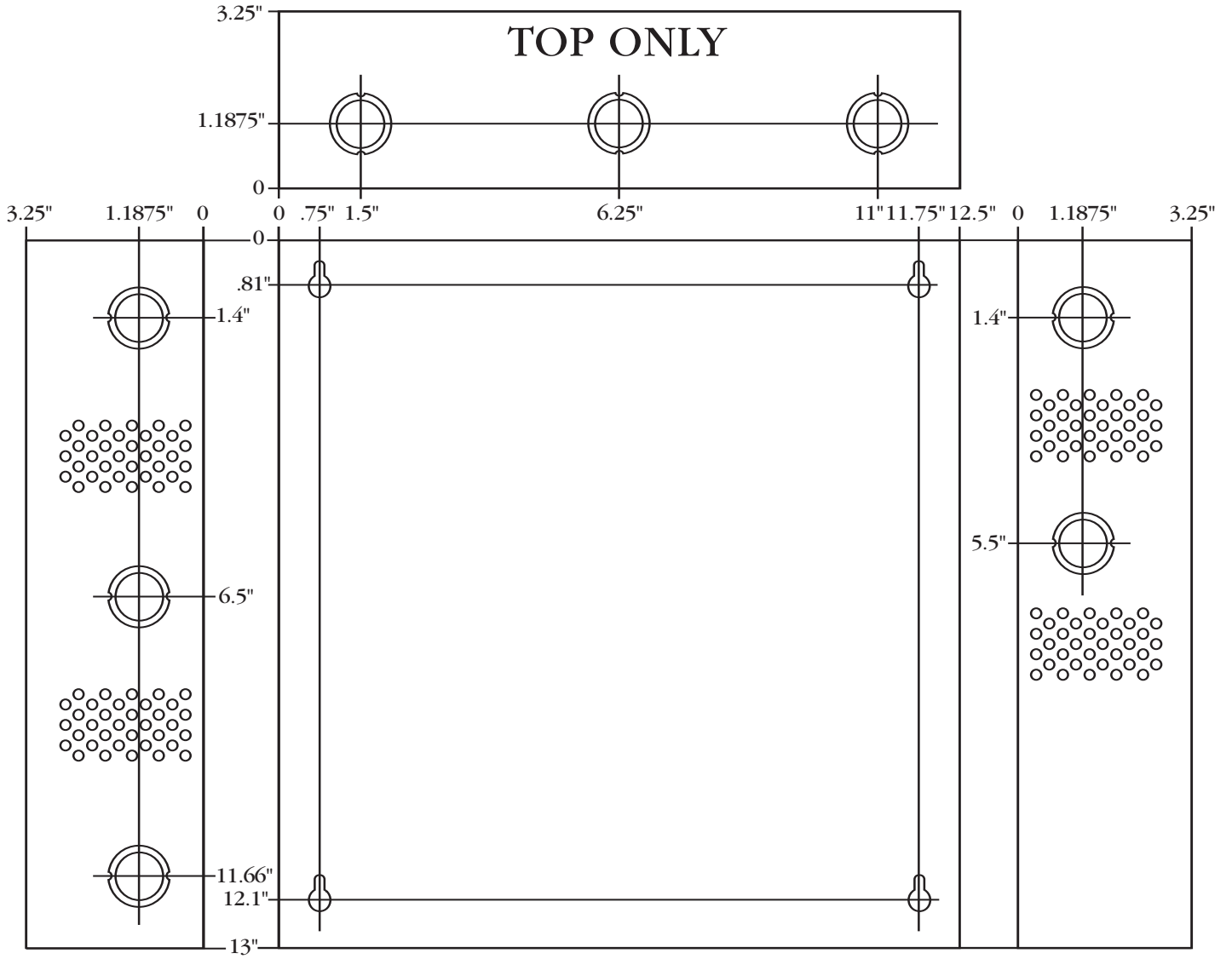


Fig. 7 Normally Closed - Latching FACP trigger input with reset:
(This output has not been evaluated by UL)



Enclosure Dimensions (ACM8E/ACM8CBE):

13"H x 13.5"W x 3.25"D



Notes:

Altronix is not responsible for any typographical errors.

Altronix Corp.
140 58th Street, Brooklyn, New York 11220 USA, 718-567-8181, fax: 718-567-9056
web site: www.altronix.com, e-mail: info@altronix.com, Lifetime Warranty, Made in U.S.A.
IIACM8/ACM8CB series I01D

